

SMT300W

Magnetic Non Dimmable

Outdoor Stainless Steel Enclosure

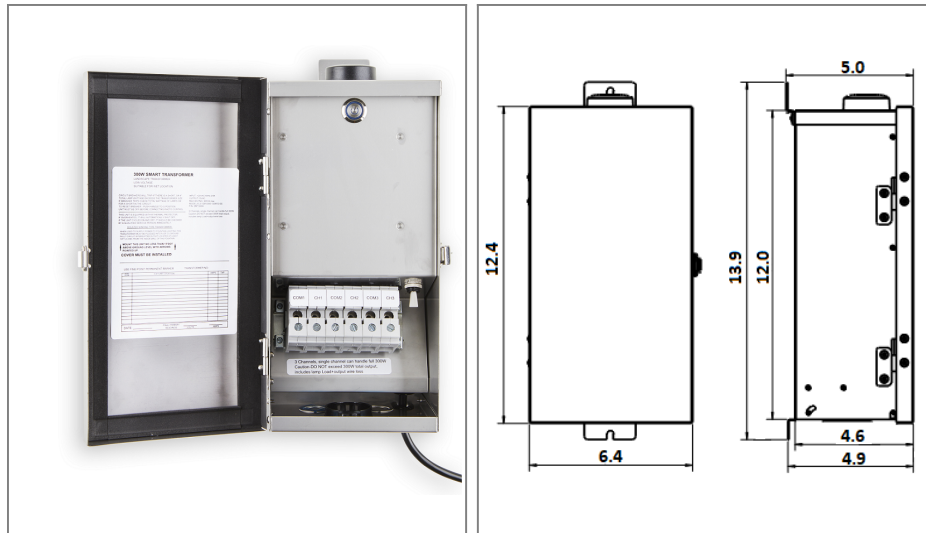
Multi Circuit: **15VAC**

Total Wattage: **300W max**

Input Voltage: **120V 60Hz**



Conforms to UL STD. 1838
Certified to CSA
STD. C22.2 № 250.0, 250.7



Transformer

Non Dimmable

Temperature class B(130°C)

Input leads: Line cord

Output leads: Terminal Block

Magnetic manually reset secondary breaker 20A per circuit

Housing

The actual transformer 300W is encapsulated in the enclosure

The enclosure is Stainless Steel, NEMA 3R rated

Enclosure Temperature does not exceed 75°C at 45°C ambient and fully loaded

Dimensions (inch): H = 13.9, W = 6.4, D = 4.9

Weight (LBs): 15.75

Electrical Parameters

Input Voltage: **120V 60Hz**

Max. input current at full load: **2.5A**

Output voltage without load: **15VAC**

Output voltage fully loaded: **14VAC**

Max. Total Wattage: **300W**

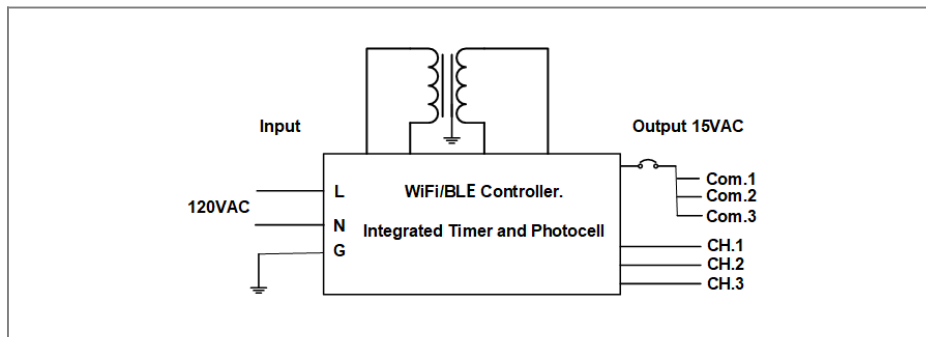
Max. per circuit: **100W**

Max. Output Current: **6.7A per circuit.**

Efficiency: **90%**

Load regulation: **0%**

Ripple: **0%**



Mailing Address: 646 Flinn Ave. Unit B, Moorpark , CA 93021 Tech support: Arik Nirenberg phone: 818-904-3309
Fax: 818 904 3327 info@emcod.com techsupport@emcod.com