

# EM600S12AC

## Magnetic

Outdoor Black Powder Coated Steel Enclosure

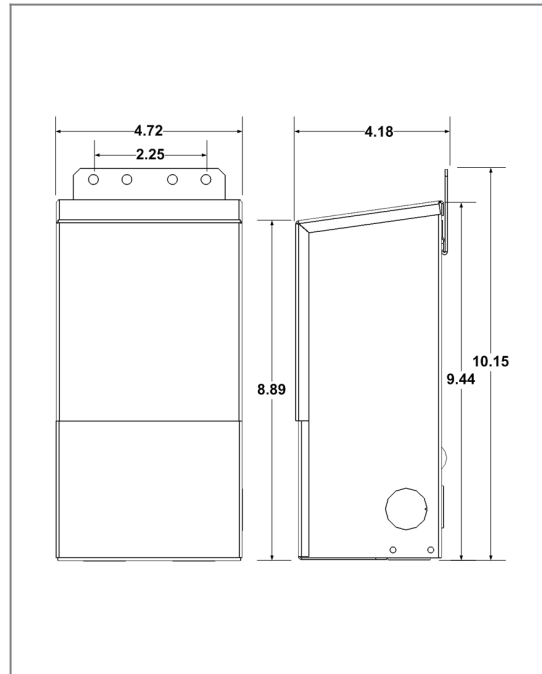
Double Circuit: **12/24VAC**

Total Wattage: **600W max**

Input Voltage: **120V 60Hz**



Conforms to UL STD. 2108  
Certified to CSA  
STD. C22.2 № 250.0  
model EM600  
[Link to certification](#)



### Transformer

Temperature class B(130°C)

Two section bobbin completely separated primary and secondary windings

Input leads are 18AWG 600V

Output leads are 12AWG 300V

Leads max. operational temperature is 105°C

Thermal manually reset primary breaker 8A

Thermal manually reset secondary breaker 25A per circuit

### Housing

The actual transformer 600W is encapsulated in the enclosure

The enclosure is Black Powder Coated Steel, NEMA 3R rated

Wiring compartment has 6 knockouts sizes for 3/8 inch screw cable connectors

Enclosure Temperature does not exceed 75°C at 45°C ambient and fully loaded

Dimensions (inch): H = 9.4, W = 4.6, D = 4.1

Weight (LBs): 18

### Electrical Parameters

Input Voltage: **120V 60Hz**

Max. input current at full load: **5.5A**

Output voltage without load: **12.4/ 24.8VAC**

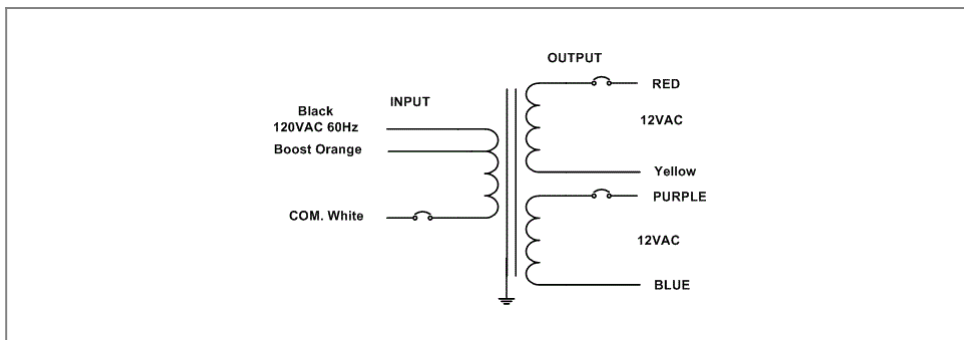
Output voltage fully loaded: **11.8/ 23.8VAC**

Max. Total Wattage: **600W** Max. per circuit: **300W**

Max. Output Current: **25/ 12.5A** per circuit.

Efficiency: **93%**

Load regulation: **0.05%**



Mailing Address: 6925 Eton Ave. Canoga Park, CA 91303 Tech support: Arik Nirenberg phone: 818-904-3309 cellphone: 818-269-4091  
Fax: 818 904 3327 info@emcod.com techsupport@emcod.com