

## EM3-300S24DC

### Class 2 Magnetic

Outdoor Black Powder Coated Steel Enclosure

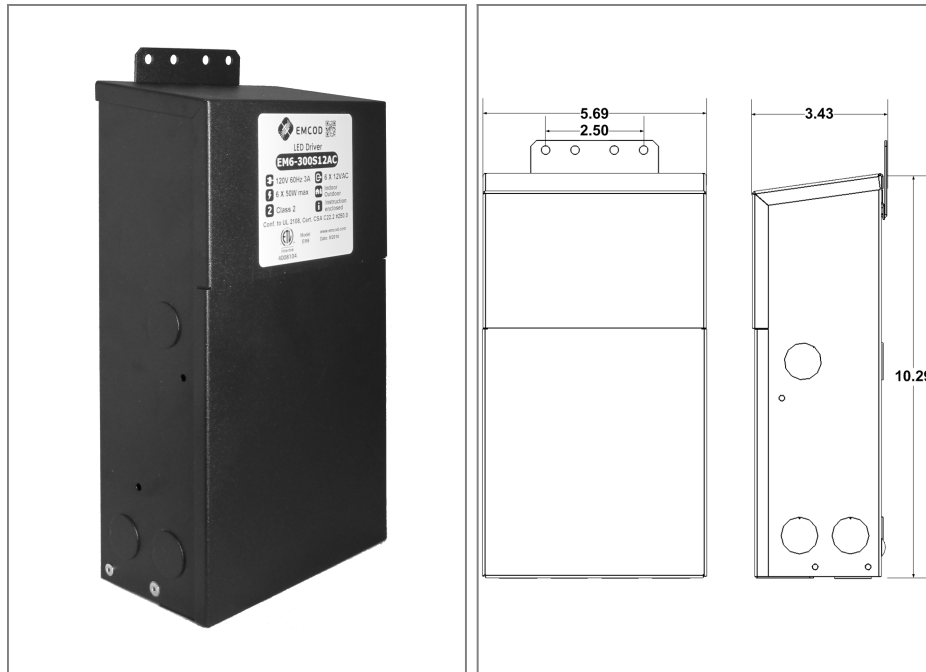
Multi Circuit: **24VDC**

Total Wattage: **288W max**

Input Voltage: **120V 60Hz**



Compliant to UL 2108



### Transformer

Temperature class B(130°C)

Two section bobbin completely separated primary and secondary windings

Input leads are 18AWG 600V

Output leads: Terminal Block

Leads max. operational temperature is 105°C

Thermal manually reset primary breaker 5A

Thermal manually reset secondary breaker 4A per circuit

### Housing

The actual transformer 288W is encapsulated in the enclosure

The enclosure is Black Powder Coated Steel, NEMA 3R rated

Wiring compartment has 13 knockouts sizes for 3/8 inch screw cable connectors

Enclosure Temperature does not exceed 75°C at 45°C ambient and fully loaded

Dimensions (inch): H = 10.29, W = 5.69, D = 3.43

Weight (LBs): 1

### Electrical Parameters

Input Voltage: **120V 60Hz**

Max. input current at full load: **2.8A**

Output voltage without load: **25.6VDC**

Output voltage fully loaded: **23.6VDC**

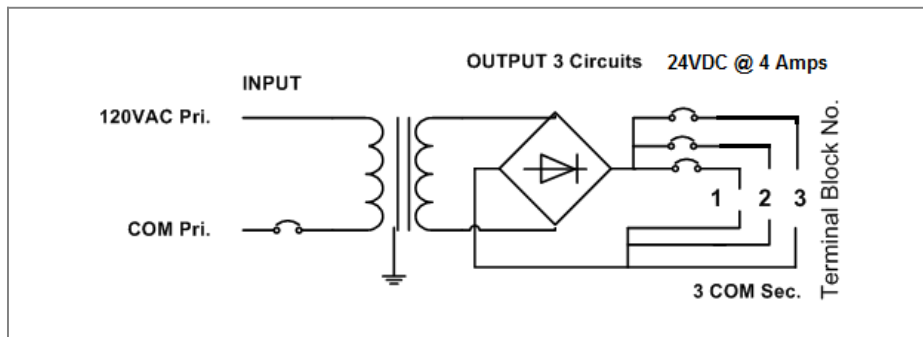
Max. Total Wattage: **288W**

Max. per circuit: **96W**

Max. Output Current: **4A per circuit.**

Efficiency: **93%**

Load regulation: **0.08%**



Mailing Address: 646 Flinn Ave. Unit B, Moorpark , CA 93021 Tech support: Arik Nirenberg phone: 818-904-3309

Fax: 818 904 3327 info@emcod.com techsupport@emcod.com