

ECC-040-UD

Constant Current UNIV 5 in 1 dimming
 Plastic Suitable For Dry And Damp Location
 Enclosure

Single Circuit: **3-65VDC**

Total Wattage: **40W max**

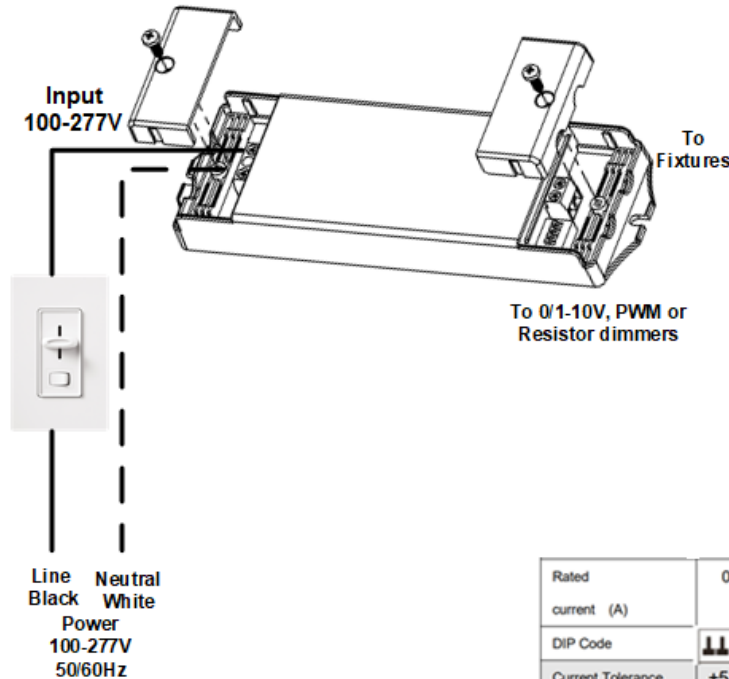
Input Voltage: **100-277V 50/60Hz**



Conforms to UL STD. 8750
 Certified to CSA
 STD. C22.2 No 250.13

Installation Instruction

- * Read instruction completely before installation.
- * Turn off electricity before wiring.
- * Only qualified personal should install the unit
- * Installation must comply with the NEC.
- * Ensure the unit has input, output voltage and output wattage proper for your application.



Mounting

The driver must be mounted in at least 5" of a free flow air space for proper ventilation. The driver must never be mounted next to or above heat radiated objects. The maximum ambient temperature should not exceed 45 deg. C (115 deg. F) at full load.

Connection

Open the wire compartments for input and output wires. There are 3 terminal boards: Input, output and dimming (see marking on the label).

Input Connection

Bring your Power Line and Neutral wires and connect to input terminal block to L and N positions.

Dimming Connection

If you are going to use Phase cut (Triac) dimmer, connect it as on the diagram. If you are going to use 0/1-10V, PWM dimmer or resistor, connect it to the dimming terminal to - and +. Your power connect directly to the driver.

Output Connection

Bring your lights wires and connect to the + and - of the output terminal block. Make sure all your connection very tight

Rated current (A)	0.3	0.35	0.4	0.45	0.5	0.55	0.6	0.65	0.7	0.8	0.9	1.0	1.1	1.2	1.3	1.4	
DIP Code		T	T T	T T	T T	T T	T T	T T	T T	T T	T T	T T	T T	T T	T T	T T	
Current Tolerance	±5%																
DC Voltage	3-65	3-65	3-65	3-65	3-65	3-65	3-65	3-62	3-57	3-50	3-45	3-40	3-37	3-34	3-31	3-29	
Rated power	19.5	22.8	26	29.3	32.5	35.8	39										40

**Mailing Address: 646 Flinn Ave. Unit B, Moorpark, CA 93021 Tech support: Arik Nirenberg phone: 818-904-3309
 Fax: 818 904 3327 info@emcod.com techsupport@emcod.com**