

EM3-300S24DC

Class 2 Magnetic

Outdoor Black Powder Coated Steel Enclosure

Multi Circuit: **24VDC**


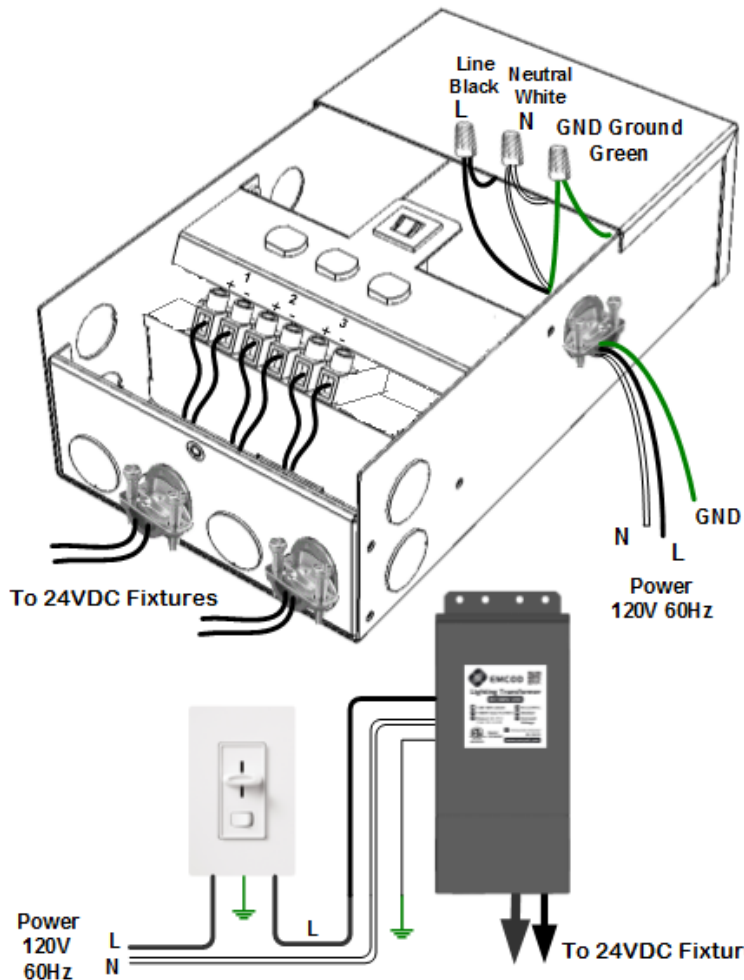
Total Wattage: **288W max**

Input Voltage: **120V 60Hz**



Compliant to UL 2108

Installation Instruction



- * Read instruction completely before installation.
- * Turn off electricity before wiring.
- * Only qualified personal sould inst tall the unit
- * Installation must comply with the NEC.
- * Ensure the unit has input, output voltage and output wattage proper for your application.

Mounting

The transformer must be mounted in at least 15" of free flow air space for proper ventilation. The transformer must never be mounted next to or above heat radiated objects. The maximum ambient temperature should not exceed 50 deg. C (110 deg. F). Attach mounting plate to the rigid vertical surface with a two screws. Hang transformer on the hook of the mounting plate vertically when installed outdoor. When mounting indoor the unit can be installed horizontally, as well

Connection

Open the input wire compartment and remove knockouts for input and output, install strain reliefs (wire clamps). Use only right size and UL approved wire nuts.

Input Connection

Bring your line and neutral wires through input strain relief and connect them to the Black and White transformers leads.

Output Connection

Bring your lights wires through output strain relief and connect 1st circuit to the #1 terminal, remaining circuits connect to #2 - #3 terminals respectively. Max. wattage per circuit is 50W. Make sure you connect positive wires to the "+" and negative to the "-" terminal block positions and all your connection very tight.

Grounding

The core and coil assemblies are grounded to the enclosure. The enclosure in turn should be grounded in accordance with NEC and local code. Connect the transformer green wire to the ground.

Mailing Address: 646 Flinn Ave. Unit B, Moorpark , CA 93021 Tech support: Arik Nirenberg phone: 818-904-3309

Fax: 818 904 3327 info@emcod.com techsupport@emcod.com