

## SMT300W

### Magnetic Non Dimmable

Outdoor Stainless Steel Enclosure

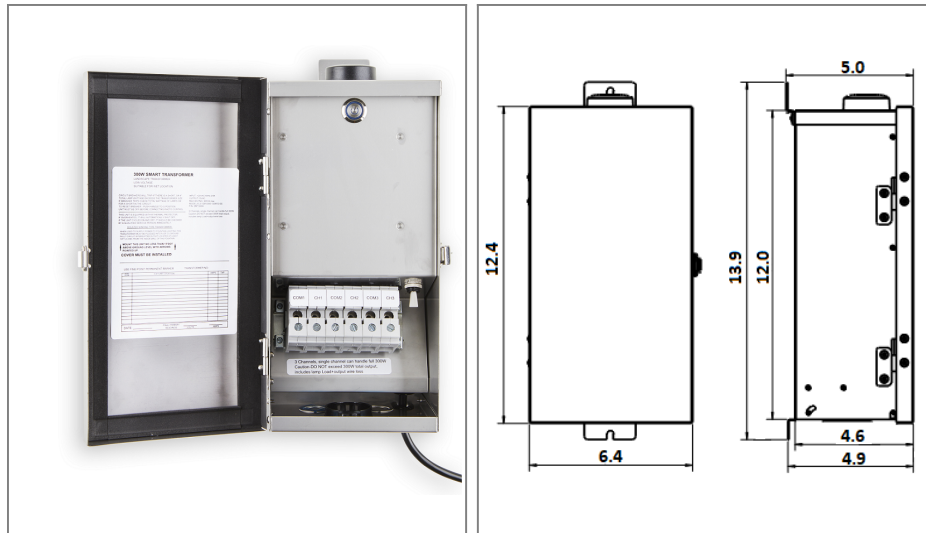
Multi Circuit: **15VAC**

Total Wattage: **300W max**

Input Voltage: **120V 60Hz**



Conforms to UL STD. 1838  
Certified to CSA  
STD. C22.2 № 250.0, 250.7



### Transformer

Non Dimmable

Temperature class B(130°C)

Input leads: Line cord

Output leads: Terminal Block

Magnetic manually reset secondary breaker 20A per circuit

### Housing

The actual transformer 300W is encapsulated in the enclosure

The enclosure is Stainless Steel, NEMA 3R rated

Enclosure Temperature does not exceed 75°C at 45°C ambient and fully loaded

Dimensions (inch): H = 13.9, W = 6.4, D = 4.9

Weight (LBs): 15.75

### Electrical Parameters

Input Voltage: **120V 60Hz**

Max. input current at full load: **2.5A**

Output voltage without load: **15VAC**

Output voltage fully loaded: **14VAC**

Max. Total Wattage: **300W**

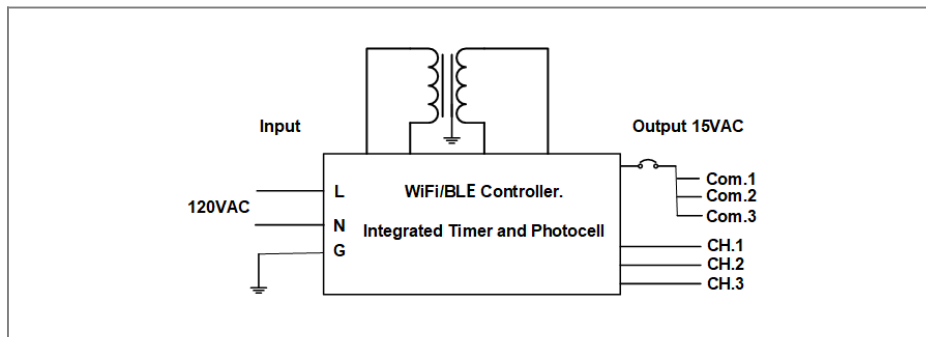
Max. per circuit: **100W**

Max. Output Current: **6.7A** per circuit.

Efficiency: **90%**

Load regulation: **0%**

Ripple: **0%**



Mailing Address: 646 Flinn Ave. Unit B, Moorpark , CA 93021 Tech support: Arik Nirenberg phone: 818-904-3309  
Fax: 818 904 3327 [info@emcod.com](mailto:info@emcod.com) [techsupport@emcod.com](mailto:techsupport@emcod.com)