

## ECC-040-UD

### Constant Current UNIV 5 in 1 dimming

Plastic Suitable For Dry And Damp Location Enclosure

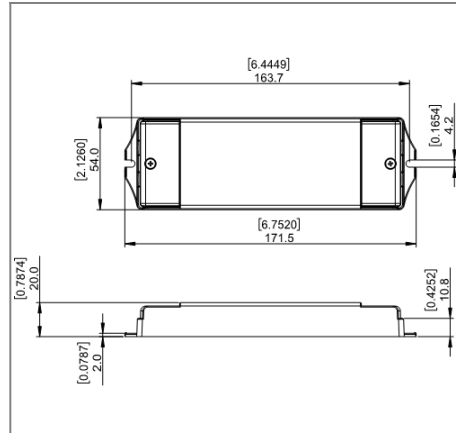
Single Circuit: **3-65VDC**

Total Wattage: **40W max**

Input Voltage: **100-277V 50/60Hz**



Conforms to UL STD. 8750  
Certified to CSA  
STD. C22.2 No 250.13



### Transformer

Dimmable with triac forward and reverse phase, 0/1-10V , resistor, PWM  
Temperature class B(130°C)

### Housing

The actual transformer 40W is encapsulated in the enclosure  
The enclosure is Plastic suitable for dry and damp location, IP20, wire  
compartment is optional rated  
Enclosure Temperature does not exceed 65°C at 45°C ambient and fully  
loaded

Dimensions (inch): H = 2.1, W = 6.4, D = 0.95

Weight (LBs): 0.37

### Electrical Parameters

Input Voltage: **100-277V 50/60Hz**

Max. input current at full load: **0.52A**

Output voltage without load: **75VDC**

Output voltage fully loaded: **VDC**

Max. Total Wattage: **40W**

Max. Output Current: **1.4A**

Efficiency: **80%**

Output	Rated current (A)	0.3	0.35	0.4	0.45	0.5	0.55	0.6	0.65	0.7	0.8	0.9	1.0	1.1	1.2	1.3	1.4				
	DIP Code		TTTT	TLLL	LTLL	TTLL	LLTL	TTLT	TTTT	LLLT	TLLT	LTLT	TTLT	LLTT	LTLL	TTLL	LLTT	TTTT			
Current Tolerance		±5%																			
DC Voltage		3-65	3-65	3-65	3-65	3-65	3-65	3-65	3-62	3-57	3-50	3-45	3-40	3-37	3-34	3-31	3-29				
Rated power		19.5	22.8	26	29.3	32.5	35.8	39	40												

Mailing Address: 646 Flinn Ave. Unit B, Moorpark , CA 93021 Tech support: Arik Nirenberg phone: 818-904-3309  
Fax: 818 904 3327 info@emcod.com techsupport@emcod.com