

EMS300S24AC

Magnetic Phase cut Dimmable LED AC Driver

Outdoor Stainless Steel Enclosure

Single Circuit: **24VAC**

Total Wattage: **300W max**

Input Voltage: **120V 60Hz**



www.emcod.com



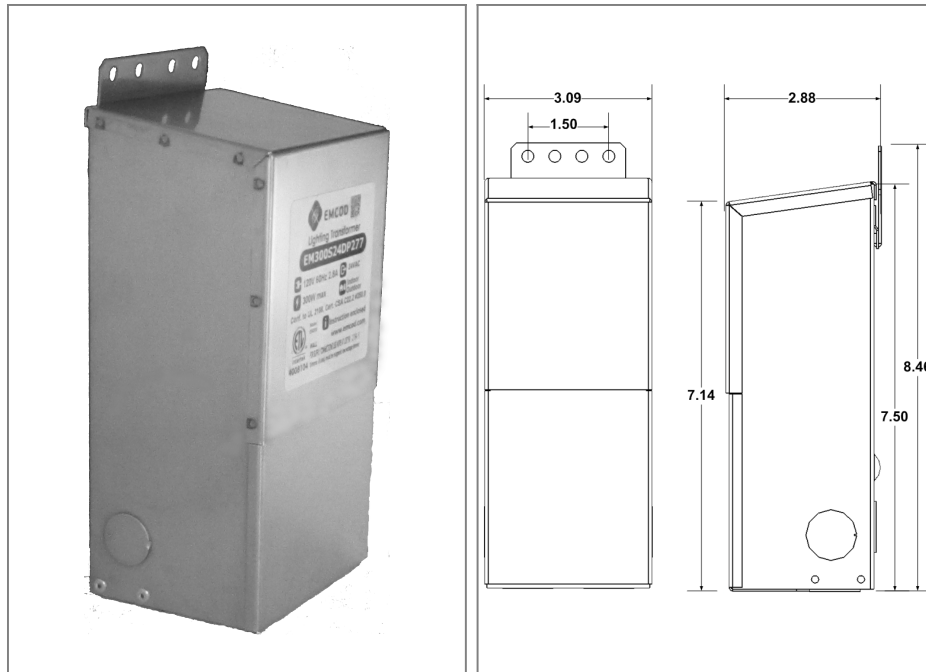
Conforms to UL STD. 2108

Certified to CSA

STD. C22.2 No 250.0

model EM300

[Link to certification](#)



Transformer

Dimmable with compatible MLV, ELV, CL dimmers, please refer to list on emcod.com

Temperature class B(130°C)

Two section bobbin completely separated primary and secondary windings

Input leads are 18AWG 600V

Output leads are 12AWG 300V

Leads max. operational temperature is 105°C

Thermal manually reset primary breaker 5A

Housing

The actual transformer 300W is encapsulated in the enclosure

The enclosure is Stainless Steel, NEMA 3R rated

Wiring compartment has 6 knockouts sizes for 3/8 inch screw cable connectors

Enclosure Temperature does not exceed 75°C at 45°C ambient and fully loaded

Dimensions (inch): H = 7.5, W = 3.09, D = 2.88

Weight (LBs): 5.1

Electrical Parameters

Input Voltage: **120V 60Hz**

Max. input current at full load: **3A**

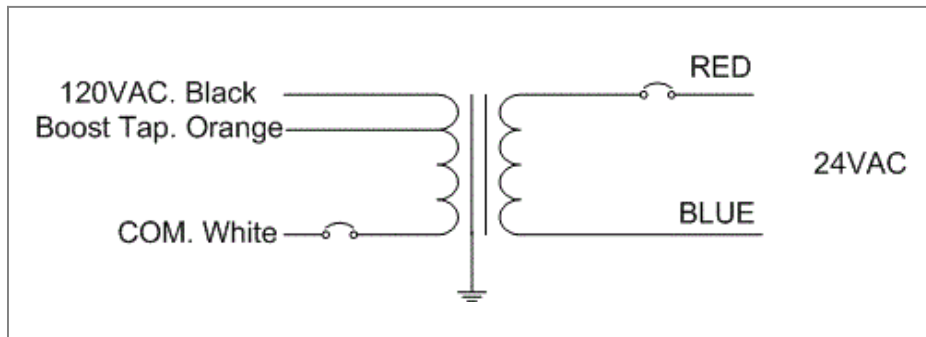
Output voltage without load: **25.6VAC**

Output voltage fully loaded: **23.8VAC**

Max. Total Wattage: **300W**

Max. Output Current: **12.5A**

Efficiency: **90%**



Mailing Address: 646 Flinn Ave. Unit B, Moorpark, CA 93021 Tech support: Arik Nirenberg phone: 818-904-3309

Fax: 818 904 3327 info@emcod.com techsupport@emcod.com