

# ECV200-24DC

## Electronic Dimmable

Outdoor Aluminum With Wire Compartment Enclosure

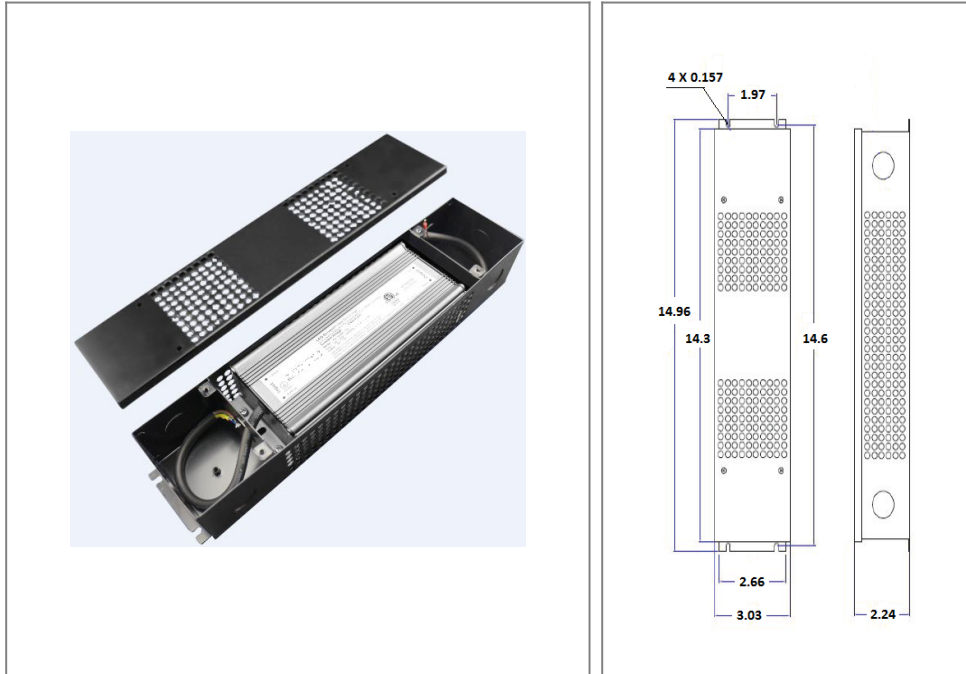
Single Circuit: **24VDC**

Total Wattage: **200W max**

Input Voltage: **120V 50/60Hz**



Conforms to UL STD. 1012  
Certified to CSA  
STD. C22.2 № 107.1



### Transformer

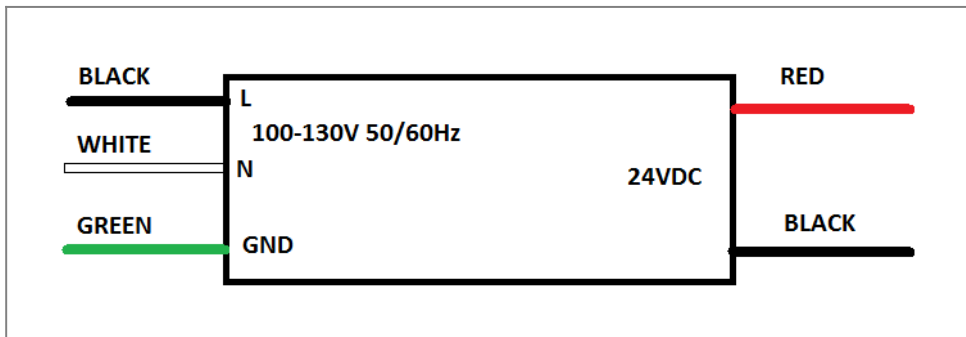
Dimmable with any EV, MLV, CL, forward or revers phase.  
Input leads are 18AWG 600V  
Output leads are 18AWG 300V  
Leads max. operational temperature is 105°C

### Housing

The actual transformer 200W is encapsulated in the enclosure  
The enclosure is Aluminum with wire compartment, IP 67 rated  
Wiring compartment has 4 knockouts sizes for 3/8 inch screw cable connectors  
Enclosure Temperature does not exceed 70°C at 45°C ambient and fully loaded  
Dimensions (inch): H = 14.3, W = 3.03, D = 2.24  
Weight (LBs): 5

### Electrical Parameters

|                                  |                     |
|----------------------------------|---------------------|
| Input Voltage:                   | <b>120V 50/60Hz</b> |
| Max. input current at full load: | <b>3.2A</b>         |
| Output voltage without load:     | <b>24.1VDC</b>      |
| Output voltage fully loaded:     | <b>24VDC</b>        |
| Max. Total Wattage:              | <b>200W</b>         |
| Max. Output Current:             | <b>8.3A</b>         |
| Efficiency:                      | <b>85%</b>          |
| Load regulation:                 | <b>1%</b>           |
| Ripple:                          | <b>5%</b>           |



Mailing Address: 6925 Eton Ave. Canoga Park, CA 91303 Tech support: Arik Nirenberg phone: 818-904-3309 cellphone: 818-269-4091  
Fax: 818 904 3327 info@emcod.com techsupport@emcod.com