

# EPC40W

## Magnetic Non Dimmable

Outdoor Black Powder Coated Steel Enclosure

Multi Tap: **12VAC and 15VAC**

Total Wattage: **40W max**

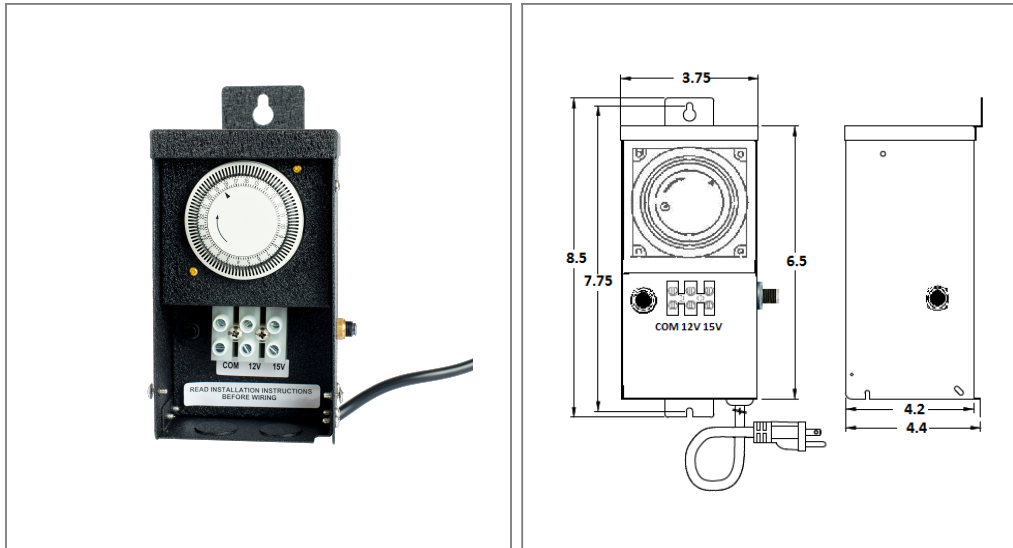
Input Voltage: **120V 60Hz**



www.emcod.com



Conforms to UL STD. 1838  
Certified to CSA  
STD. C22.2 No 250.0, 250.7

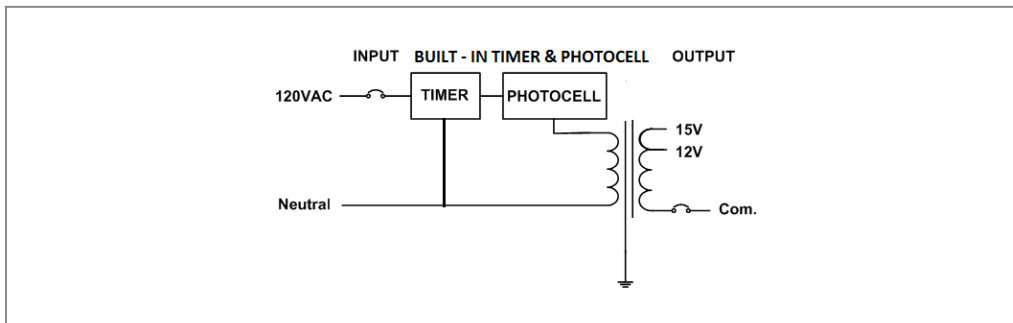


### Transformer

Non dimmable if use timer or/and photocell  
Temperature class B(130°C)  
Thermal manually reset secondary breaker 6A  
Timer and photocell build in options

### Housing

The actual transformer 40W is encapsulated in the enclosure  
The enclosure is Black Powder Coated Steel, NEMA 3R rated  
Wiring compartment has 2 knockouts sizes for 3/8 inch screw cable connectors  
Enclosure Temperature does not exceed 65°C at 45°C ambient and fully loaded  
Dimensions (inch): H = 8.5, W = 3.75, D = 4.4  
Weight (LBs): 0.5



### Electrical Parameters

Input Voltage:	<b>120V 60Hz</b>
Max. input current at full load:	<b>0.4A</b>
Output voltage without load:	<b>12/ 15VAC</b>
Output voltage fully loaded:	<b>11.5/ 14.5VAC</b>
Max. Total Wattage:	<b>40W</b>
Max. Output Current:	<b>3.3/ 2.7A</b>
Efficiency:	<b>90%</b>

Mailing Address: 6925 Eton Ave. Canoga Park, CA 91303 Tech support: Arik Nirenberg phone: 818-904-3309 cellphone: 818-269-4091  
Fax: 818 904 3327 info@emcod.com techsupport@emcod.com