

# EOM30S12DC

Class 2 Magnetic Dimmable

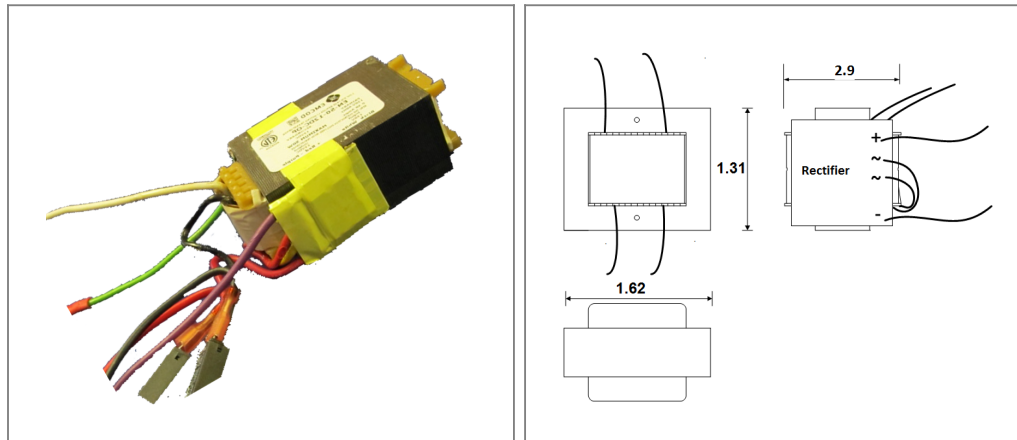
Single Circuit: **12VDC**  
Total Wattage: **30W max**  
Input Voltage: **120V 60Hz**



www.emcod.com



Conforms to UL STD. 1310  
Certified to CSA  
STD. C22.2 № 223  
model EM35  
[Link to certification](#)



## Transformer

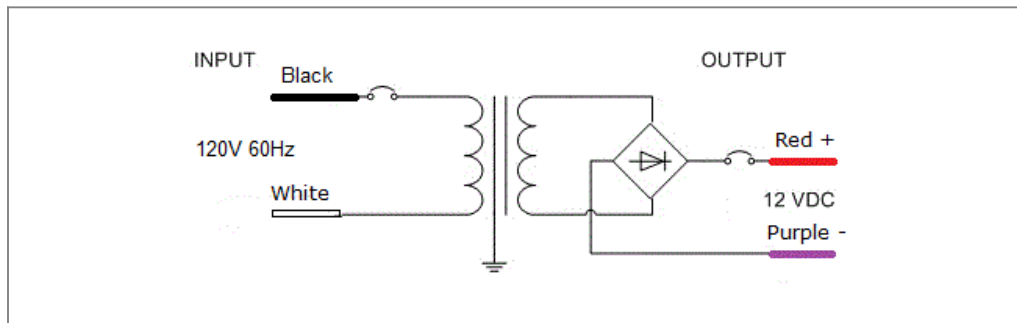
Dimmable with any LV magnetic dimmer as long as you cover dimmer's min load.

Temperature class B(130°C)  
Input leads are 18AWG 600V  
Output leads are 18AWG 300V  
Leads max. operational temperature is 105°C  
Thermal self reset primary breaker 0.8A  
Thermal self reset secondary breaker 5A

Dimensions (inch): H = 1.31, W = 1.62, D = 2.9  
Weight (LBs): 1.1

## Electrical Parameters

Input Voltage:	<b>120V 60Hz</b>
Max. input current at full load:	<b>0.3A</b>
Output voltage without load:	<b>13.5VDC</b>
Output voltage fully loaded:	<b>11.6VDC</b>
Max. Total Wattage:	<b>30W</b>
Max. Output Current:	<b>2.9A</b>
Efficiency:	<b>85%</b>



Mailing Address: 6925 Eton Ave. Canoga Park, CA 91303 Tech support: Arik Nirenberg phone: 818-904-3309 cellphone: 818-269-4091  
Fax: 818 904 3327 info@emcod.com techsupport@emcod.com