

## EMS300S12AC

### Magnetic

Outdoor Stainless Steel Enclosure

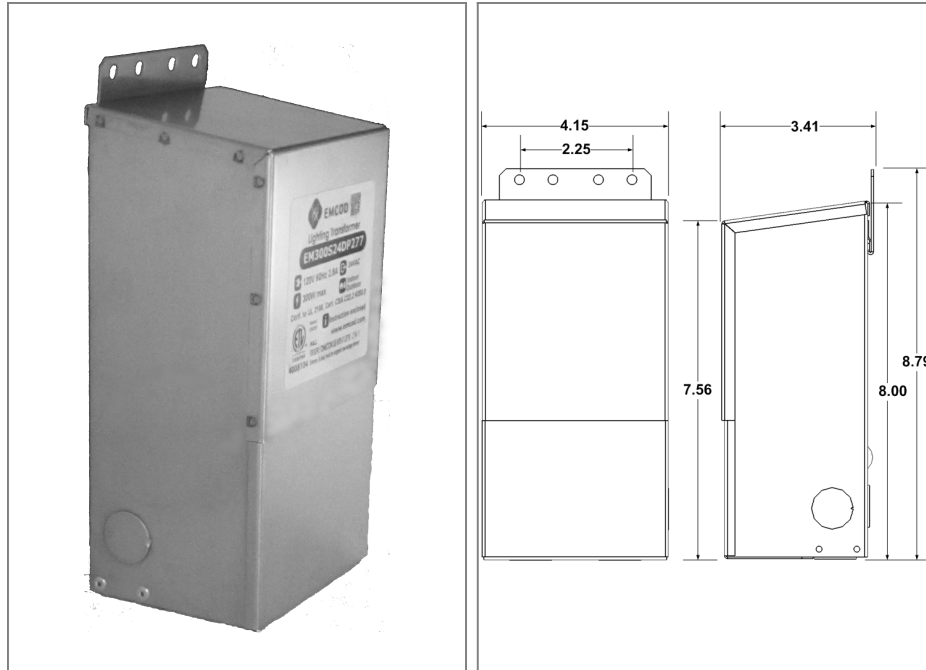
Single Circuit: **12VAC**

Total Wattage: **300W max**

Input Voltage: **120V 60Hz**



Conforms to UL STD. 2108  
Certified to CSA  
STD. C22.2 No 250.0  
model EM300  
[Link to certification](#)



### Transformer

Temperature class B(130°C)

Two section bobbin completely separated primary and secondary windings

Input leads are 18AWG 600V

Output leads are 12AWG 300V

Leads max. operational temperature is 105°C

Thermal manually reset primary breaker 5A

Magnetic manually reset secondary breaker 25A

### Housing

The actual transformer 300W is encapsulated in the enclosure

The enclosure is Stainless Steel, NEMA 3R rated

Wiring compartment has 6 knockouts sizes for 3/8 inch screw cable connectors

Enclosure Temperature does not exceed 75°C at 45°C ambient and fully loaded

Dimensions (inch): H = 8, W = 4.1, D = 3.24

Weight (LBs): 0.9

### Electrical Parameters

Input Voltage: **120V 60Hz**

Max. input current at full load: **2.8A**

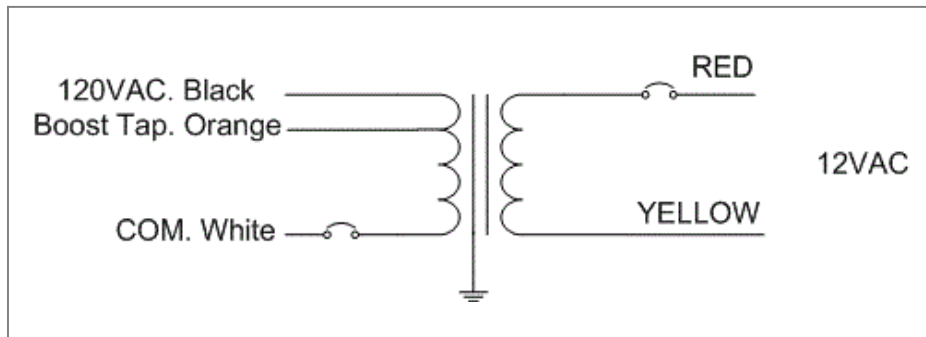
Output voltage without load: **12.8VAC**

Output voltage fully loaded: **11.8VAC**

Max. Total Wattage: **300W**

Max. Output Current: **25A**

Efficiency: **93%**



Mailing Address: 646 Flinn Ave. Unit B, Moorpark , CA 93021 Tech support: Arik Nirenberg phone: 818-904-3309

Fax: 818 904 3327 [info@emcod.com](mailto:info@emcod.com) [techsupport@emcod.com](mailto:techsupport@emcod.com)