

# EM150S24DC

## Magnetic Dimmable

Outdoor Black Powder Coated Steel Enclosure

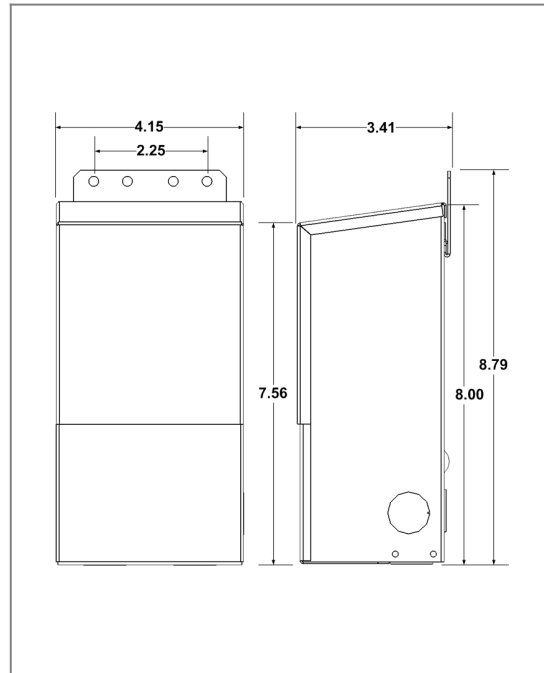
Single Circuit: **24VDC**

Total Wattage: **150W max**

Input Voltage: **120V 60Hz**



Conforms to UL STD. 2108  
Certified to CSA  
STD. C22.2 No 250.0  
model EM150



### Transformer

Dimmable with any LV magnetic dimmer as long as you cover dimmer's min load.

Temperature class B(130°C)

Two section bobbin completely separated primary and secondary windings

Input leads are 18AWG 600V

Output leads are 12AWG 300V

Leads max. operational temperature is 105°C

Thermal manually reset primary breaker 2A

Thermal manually reset secondary breaker 10A

### Housing

The actual transformer 150W is encapsulated in the enclosure

The enclosure is Black Powder Coated Steel, NEMA 3R rated

Wiring compartment has 6 knockouts sizes for 3/8 inch screw cable connectors

Enclosure Temperature does not exceed 75°C at 45°C ambient and fully loaded

Dimensions (inch): H = 8, W = 4.15, D = 3.41

Weight (LBs): 7.7

### Electrical Parameters

Input Voltage: **120V 60Hz**

Max. input current at full load: **1.5A**

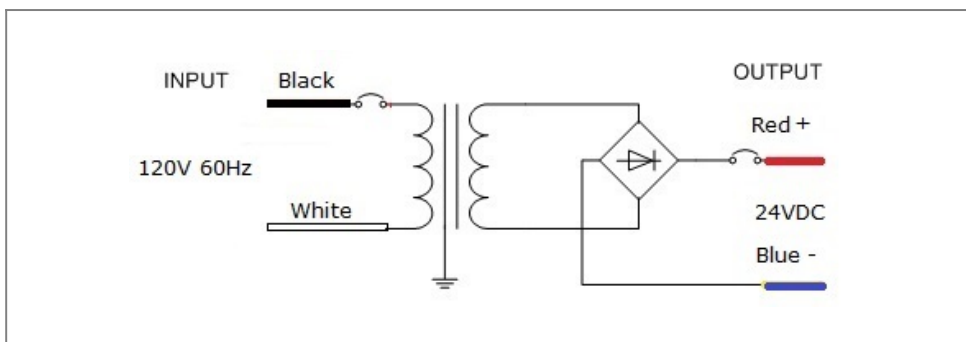
Output voltage without load: **25.3VDC**

Output voltage fully loaded: **23.5VDC**

Max. Total Wattage: **150W**

Max. Output Current: **6.2A**

Efficiency: **88%**



Mailing Address: 6925 Eton Ave. Canoga Park, CA 91303 Tech support: Arik Nirenberg phone: 818-904-3309 cellphone: 818-269-4091  
Fax: 818 904 3327 info@emcod.com techsupport@emcod.com