

EOM50S12AC

Class 2 Magnetic Dimmable

Single Circuit: **12VAC**

Total Wattage: **50W max**

Input Voltage: **120V 60Hz**

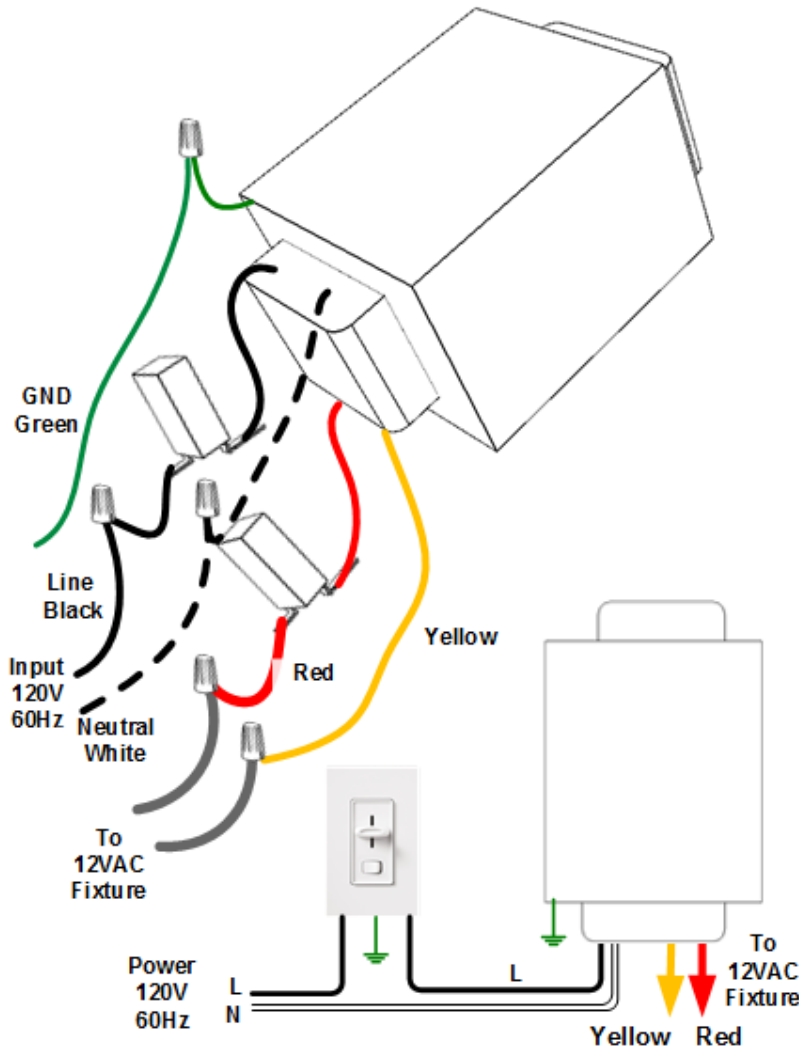


Conforms to UL STD. 1310
Certified to CSA
STD. C22.2 № 223
model EM50
[Link to certification](#)

Installation Instruction



- * Read instruction completely before installation.
- * Turn off electricity before wiring.
- * Only qualified personal should install the unit
- * Installation must comply with the NEC.
- * Ensure the unit has input, output voltage and output wattage proper for your application.



Mounting

The transformer must never be mounted next to or above heat radiated objects .
The maximum ambient temperature should not exceed 50 deg. C (110 deg. F)

Input Connection

Bring your line and neutral wires and connect them to the Black and White transformer leads.

Output Connection

Bring your lights wires and connect to the Red and Yellow transformer leads.
Make sure all your connection very tight

Grounding

The core and coil assemblies should be grounded in accordance with NEC and local code. Connect the transformer green wire to the ground.