

## ECV25-12DC-N

### Class 2 Electronic Triac Dimmable

Plastic Suitable For Dry And Damp Location Enclosure

Single Circuit: **12VDC**

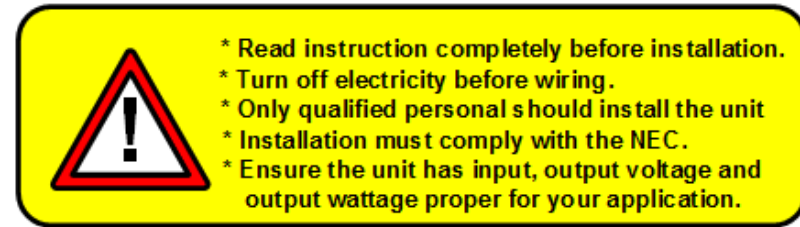
Total Wattage: **25W max**

Input Voltage: **120V 50/60Hz**



Conforms to UL STD. 1310  
Certified to CSA  
STD. C22.2 № 223

## Installation Instruction for



### Mounting

The transformer must be mounted in at least 5" of a free flow air s pace for proper ventilation.

The transformer must never be mounted next to or above heat radiated objects. The maximum ambient temperature should not exceed 50 deg. C (110 deg. F) Suitable for dry or damp location, IP20.

### Input Connection

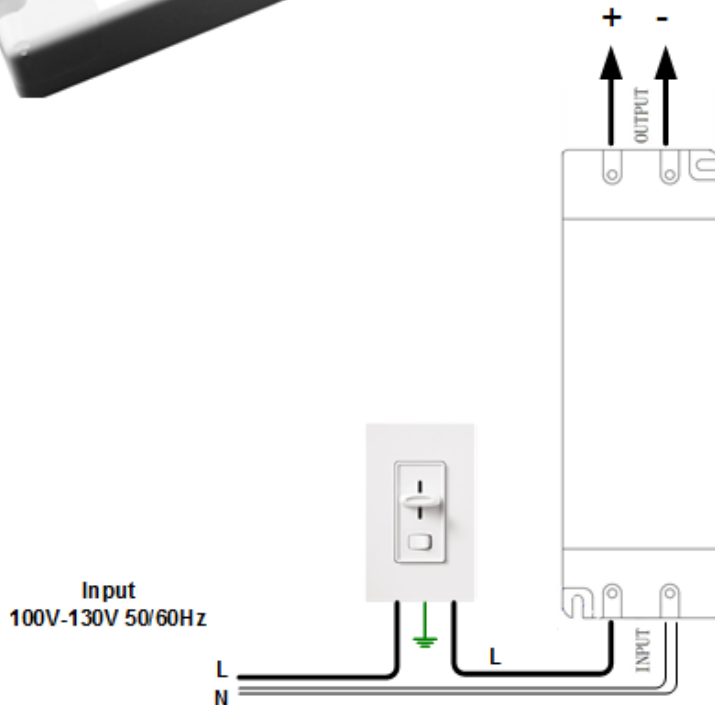
Bring your line and neutral wires and connect them to the driver's input terminal block..

### Output Connection

Bring your lights wires and connect to the driver's output terminal block.  
Make sure all your connection very tight

### Grounding

If use junction box connect your power's ground to the junction box ground screw.



Mailing Address: 646 Flinn Ave. Unit B, Moorpark , CA 93021 Tech support: Arik Nirenberg phone: 818-904-3309  
Fax: 818 904 3327 [info@emcod.com](mailto:info@emcod.com) [techsupport@emcod.com](mailto:techsupport@emcod.com)