

EOM5S12DC

Class 2 Magnetic

Single Circuit: **12VDC**

Total Wattage: **5W max**

Input Voltage: **120V 60Hz**

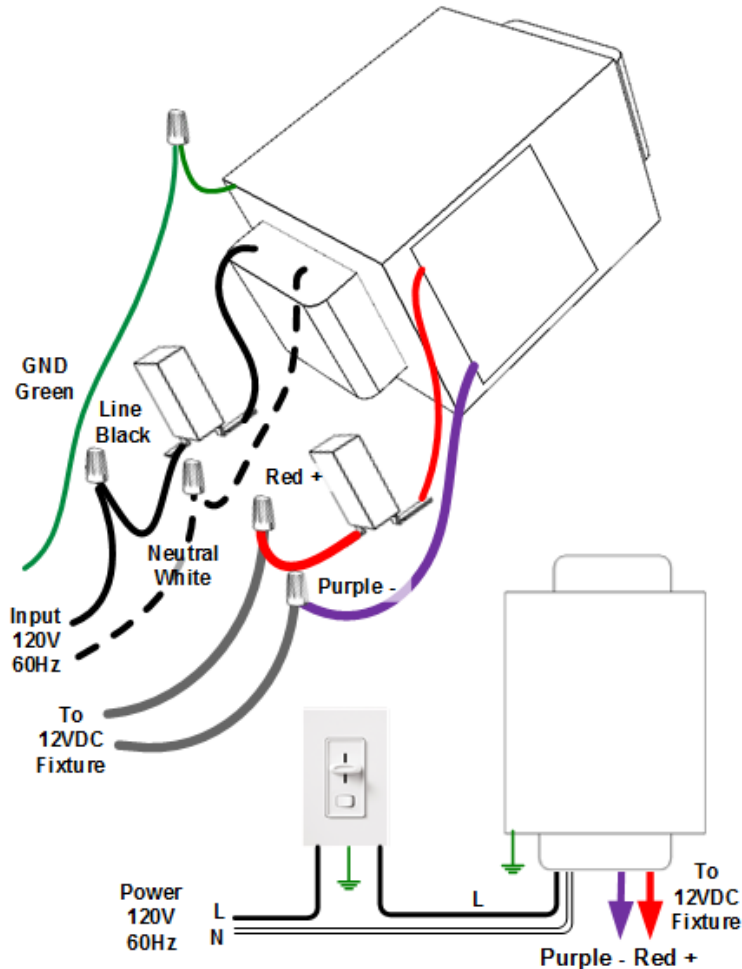
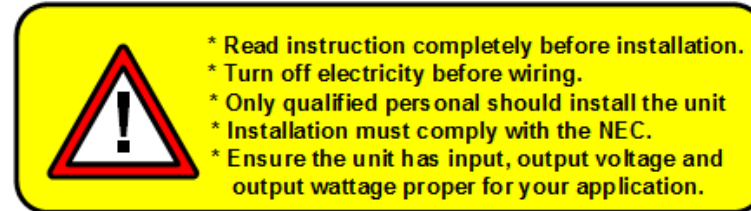


Conforms to UL STD. 1310
Certified to CSA
STD. C22.2 No 223
model EM5
[Link to certification](#)

CE

WSCT1304001634SE

Installation Instruction



Mounting

The transformer must never be mounted next to or above heat radiated objects.
The maximum ambient temperature should not exceed 50 deg. C (110 deg. F)

Input Connection

Bring your line and neutral wires and connect them to the Black and White transformers leads.

Output Connection

Bring your lights wires and connect to the Red + and Purple - transformer leads.
Make sure all your connection very tight

Grounding

The core and coil assemblies should be grounded in accordance with NEC and local code. Connect the transformer green wire to the ground.

Mailing Address: 646 Flinn Ave. Unit B, Moorpark , CA 93021 Tech support: Arik Nirenberg phone: 818-904-3309
Fax: 818 904 3327 info@emcod.com techsupport@emcod.com