

## SMT300W

### Magnetic Non Dimmable

Outdoor Stainless Steel Enclosure

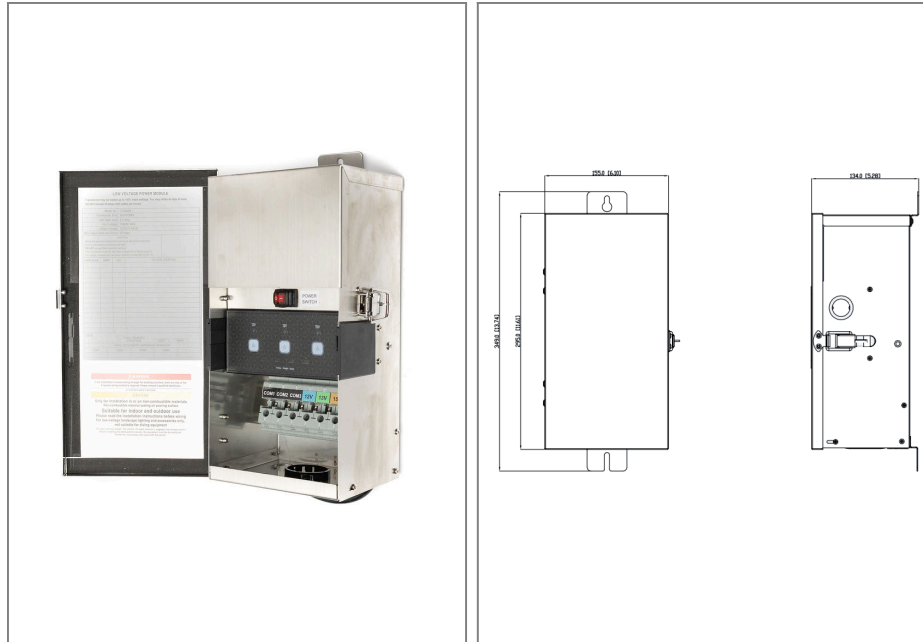
Multi Circuit: **12-13-15VAC**

Total Wattage: **300W max**

Input Voltage: **120V 60Hz**



Conforms to UL STD. 1838  
Certified to CSA  
STD. C22.2 № 250.0, 250.7



### Transformer

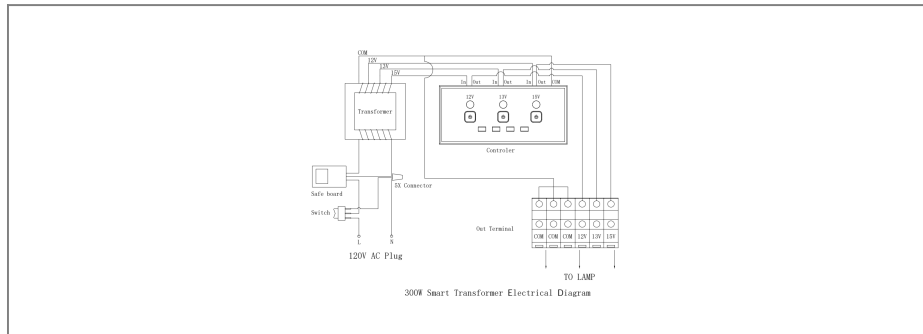
Non Dimmable  
Temperature class B(130°C)  
Input leads: Line cord  
Output leads: Terminal Block  
per circuit

### Housing

The actual transformer 300W is encapsulated in the enclosure  
The enclosure is Stainless Steel, NEMA 3R rated  
Wiring compartment has 5 knockouts sizes for 3/8 inch screw cable connectors  
Working ambient temperature range: -40°C (-40°F) to 60°C (140°F)  
Enclosure Temperature does not exceed 75°C at 45°C ambient and fully loaded  
Dimensions (inch): H = 13.74, W = 6.1, D = 5.28  
Weight (LBs): 23.1

### Electrical Parameters

Input Voltage:	<b>120V 60Hz</b>
Max. input current at full load:	<b>25A</b>
Output voltage without load:	<b>15VAC</b>
Output voltage fully loaded:	<b>14VAC</b>
Max. Total Wattage:	<b>300W</b> Max. per circuit: <b>100W</b>
Max. Output Current:	<b>8.3A</b> per circuit.
Efficiency:	<b>90%</b>
Load regulation:	<b>0%</b>
Ripple:	<b>0%</b>



Mailing Address: 646 Flinn Ave. Unit B, Moorpark , CA 93021 Tech support: Arik Nirenberg phone: 818-904-3309  
Fax: 818 904 3327 [info@emcod.com](mailto:info@emcod.com) [techsupport@emcod.com](mailto:techsupport@emcod.com)