

## ML60S24DC

### Class 2 Magnetic

Outdoor Black Powder Coated Steel Enclosure

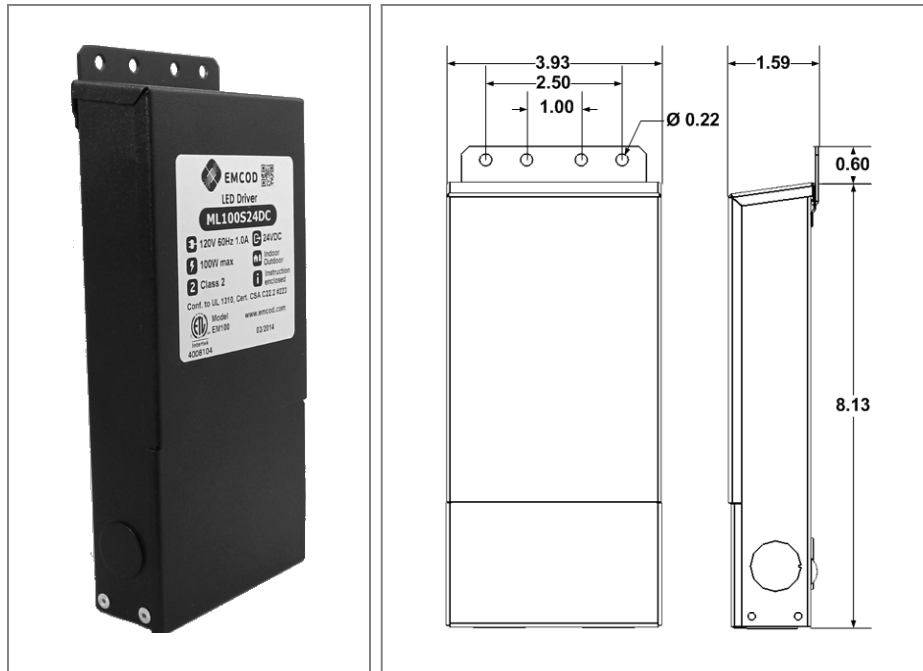
Single Circuit: **24VDC**

Total Wattage: **60W max**

Input Voltage: **120V 60Hz**



Conforms to UL STD. 1310  
Certified to CSA  
STD. C22.2 No 223  
model EM60  
[Link to certification](#)



### Transformer

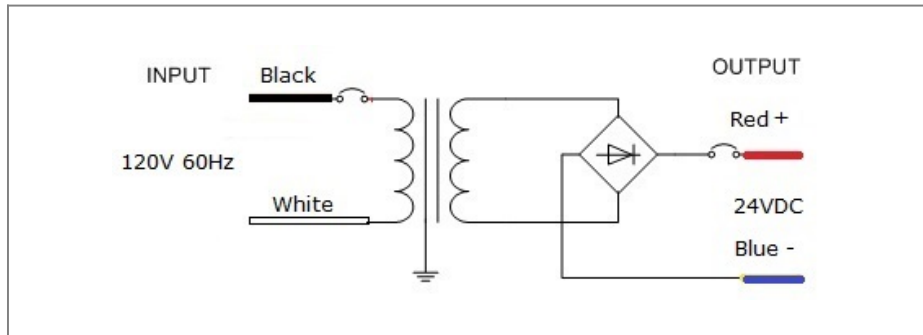
Temperature class B(130°C)  
Input leads are 18AWG 600V  
Output leads are 18AWG 300V  
Leads max. operational temperature is 105°C  
Thermal manually reset primary breaker 1A  
Thermal manually reset secondary breaker 4A

### Housing

The actual transformer 60W is encapsulated in the enclosure  
The enclosure is Black Powder Coated Steel, NEMA 3R rated  
Wiring compartment has 6 knockouts sizes for 3/8 inch screw cable connectors  
Enclosure Temperature does not exceed 75°C at 45°C ambient and fully loaded  
Dimensions (inch): H = 8.13, W = 3.93, D = 1.59  
Weight (LBs): 0.39

### Electrical Parameters

Input Voltage:	<b>120V 60Hz</b>
Output voltage without load:	<b>26.9VDC</b>
Output voltage fully loaded:	<b>23.5VDC</b>
Max. Total Wattage:	<b>60W</b>
Max. Output Current:	<b>2.5A</b>
Efficiency:	<b>85%</b>



Mailing Address: 646 Flinn Ave. Unit B, Moorpark , CA 93021 Tech support: Arik Nirenberg phone: 818-904-3309  
Fax: 818 904 3327 info@emcod.com techsupport@emcod.com