

## EMS150S24DC

### Magnetic Phase cut Dimmable

Outdoor Stainless Steel Enclosure

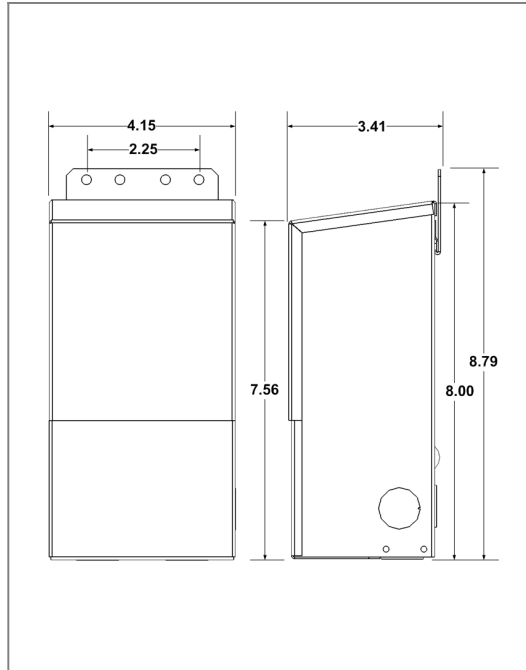
Single Circuit: **24VDC**

Total Wattage: **150W max**

Input Voltage: **120V 60Hz**



Conforms to UL STD. 2108  
Certified to CSA  
STD. C22.2 No 250.0  
model EM150



### Transformer

Dimmable with compatible MLV, ELV, CL dimmers, please refer to list on emcod.com

Temperature class B(130°C)

Two section bobbin completely separated primary and secondary windings

Input leads are 18AWG 600V

Output leads are 12AWG 300V

Leads max. operational temperature is 105°C

Thermal manually reset primary breaker 2A

Thermal manually reset secondary breaker 10A

### Housing

The actual transformer 150W is encapsulated in the enclosure

The enclosure is Stainless Steel, NEMA 3R rated

Wiring compartment has 6 knockouts sizes for 3/8 inch screw cable connectors

Enclosure Temperature does not exceed 75°C at 45°C ambient and fully loaded

Dimensions (inch): H = 8, W = 4.15, D = 3.41

Weight (LBs): 0.77

### Electrical Parameters

Input Voltage: **120V 60Hz**

Max. input current at full load: **1.5A**

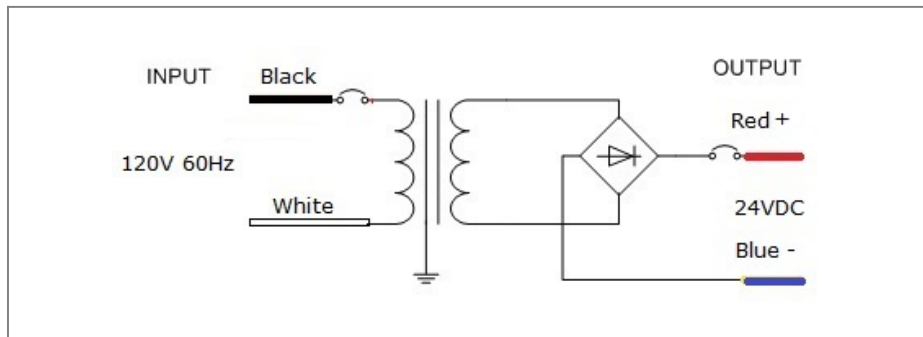
Output voltage without load: **25.3VDC**

Output voltage fully loaded: **23.5VDC**

Max. Total Wattage: **150W**

Max. Output Current: **6.2A**

Efficiency: **88%**



Mailing Address: 646 Flinn Ave. Unit B, Moorpark , CA 93021 Tech support: Arik Nirenberg phone: 818-904-3309

Fax: 818 904 3327 [info@emcod.com](mailto:info@emcod.com) [techsupport@emcod.com](mailto:techsupport@emcod.com)