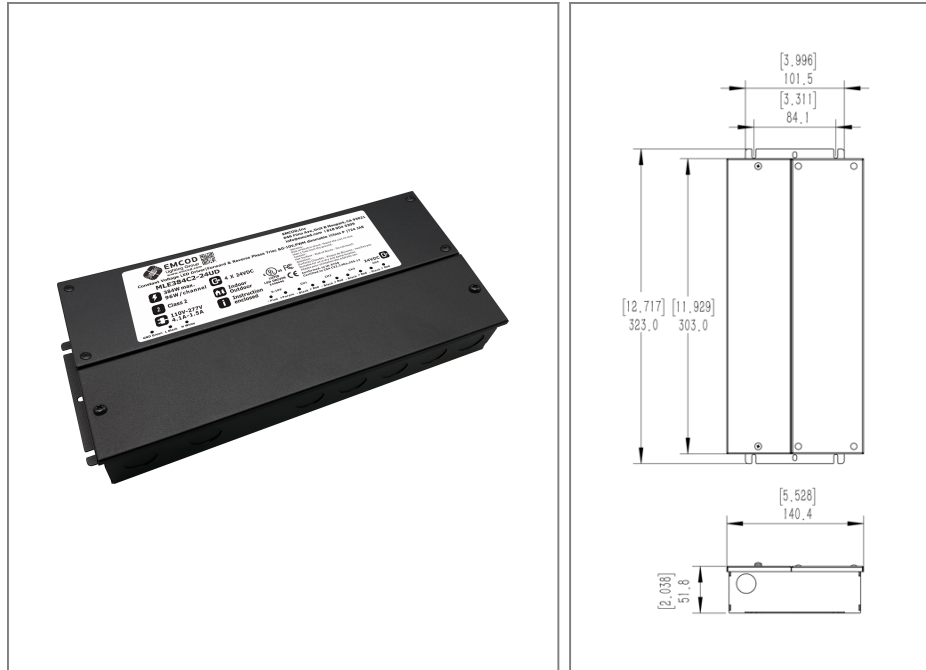


## MLE384C2-24UD T24

Class 2 Electronic UNIV 5 in 1 dimming  
Outdoor Black Powder Coated Steel Enclosure  
Multi Circuit: **24VDC 20kHz PWM, T24 JA-8**  
Total Wattage: **384W max**  
Input Voltage: **110-277V 50/60Hz**



Conforms to UL STD. 8750  
Certified to CSA  
STD. C22.2 No 250.13  
model MLE384C2-24UD



### Transformer

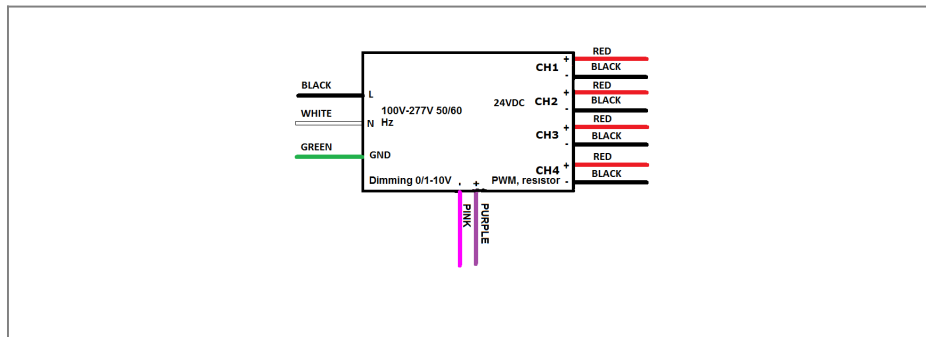
Dimmable with triac forward and reverse phase, 0/1-10V , resistor, PWM  
Temperature class B(130°C)  
Input leads are 18AWG 600V  
Output leads are 16AWG 300V  
Leads max. operational temperature is 105°C  
per circuit

### Housing

The actual transformer 384W is encapsulated in the enclosure  
The enclosure is Black Powder Coated Steel, NEMA 3R rated  
Wiring compartment has 11 knockouts sizes for 3/8 inch screw cable connectors  
Working ambient temperature range: -40°C (-40°F) to 60°C (140°F)  
Enclosure Temperature does not exceed 70°C at 45°C ambient and fully loaded  
Dimensions (inch): H = 5.53, W = 12.7, D = 2  
Weight (LBs): 6.3

### Electrical Parameters

Input Voltage:	<b>110-277V 50/60Hz</b>	
Max. input current at full load:	<b>4A</b>	
Output voltage without load:	<b>24.1VDC</b>	
Output voltage fully loaded:	<b>24VDC</b>	
Max. Total Wattage:	<b>384W</b>	Max. per circuit: <b>96W</b>
Max. Output Current:	<b>4A per circuit.</b>	
Efficiency:	<b>90%</b>	
Load regulation:	<b>1%</b>	
Ripple:	<b>5%</b>	



Mailing Address: 646 Flinn Ave. Unit B, Moorpark , CA 93021 Tech support: Arik Nirenberg phone: 818-904-3309  
Fax: 818 904 3327 [info@emcod.com](mailto:info@emcod.com) [techsupport@emcod.com](mailto:techsupport@emcod.com)