

EOM20S24DC

Class 2 Magnetic Dimmable

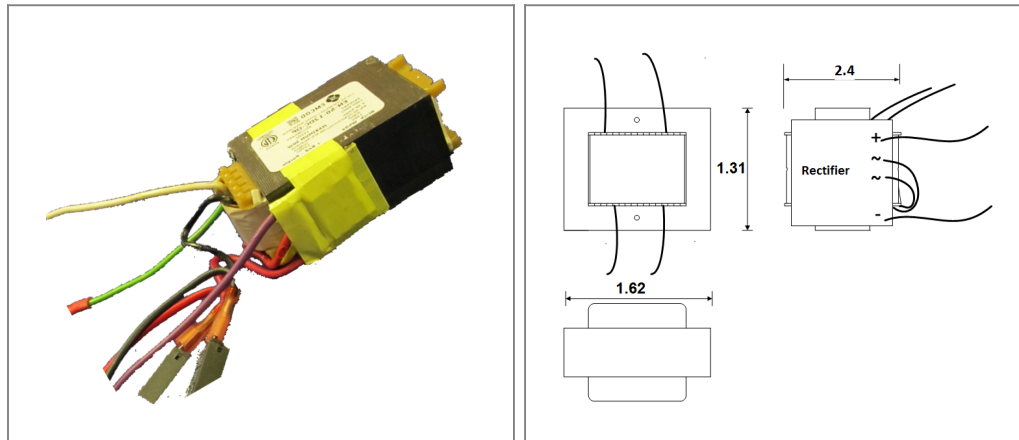
Single Circuit: **24VDC**
Total Wattage: **20W max**
Input Voltage: **120V 60Hz**



www.emcod.com



Conforms to UL STD. 1310
Certified to CSA
STD. C22.2 No 223
model EM20
[Link to certification](#)



Transformer

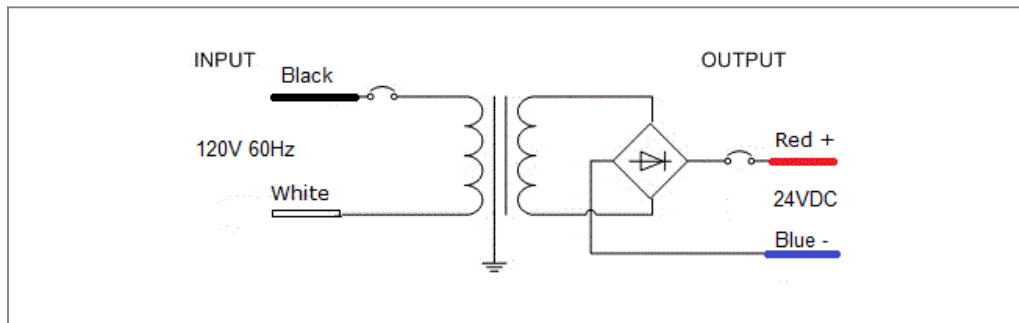
Dimmable with any LV magnetic dimmer as long as you cover dimmer's min load.

Temperature class B(130°C)
Input leads are 18AWG 600V
Output leads are 18AWG 300V
Leads max. operational temperature is 105°C
Thermal self reset primary breaker 0.8A
Thermal self reset secondary breaker 1.5A

Dimensions (inch): H = 1.31, W = 1.62, D = 2.45
Weight (LBs): 0.8

Electrical Parameters

Input Voltage:	120V 60Hz
Max. input current at full load:	0.2A
Output voltage without load:	26.4VDC
Output voltage fully loaded:	23.5VDC
Max. Total Wattage:	20W
Max. Output Current:	0.8A
Efficiency:	85%



Mailing Address: 15545 Cabrito Rd. Van Nuys, CA 91406 Tech support: Arik Nirenberg phone: 818-904-3309 cellphone: 818-269-4091
Fax: 818 904 3327 info@emcod.com techsupport@emcod.com