

# EOM35S12AC

## Class 2 Magnetic Dimmable

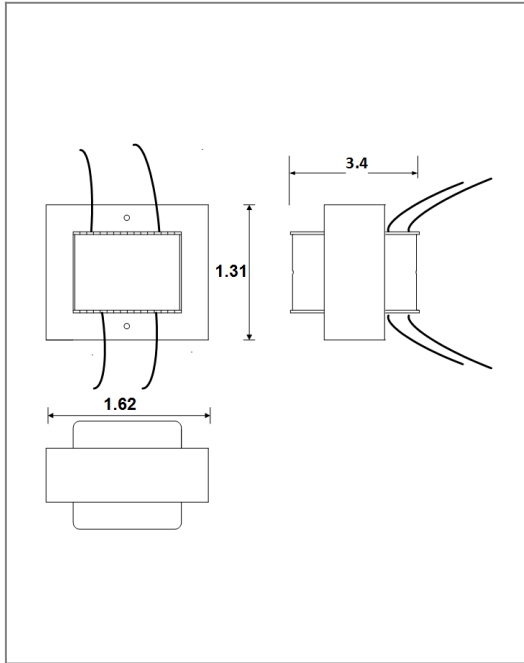
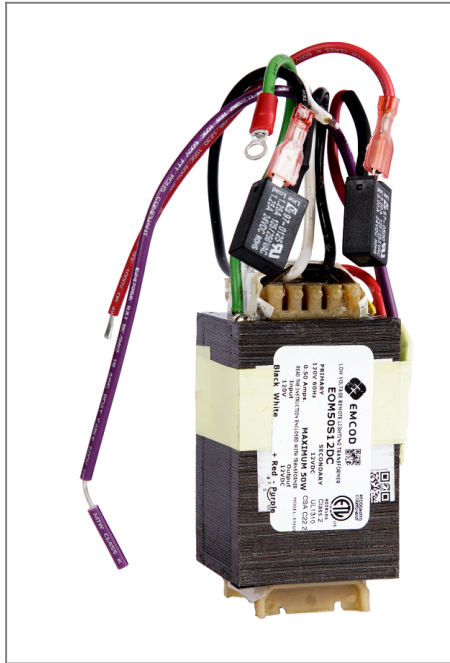
Single Circuit: **12VAC**

Total Wattage: **35W max**

Input Voltage: **120V 60Hz**



Conforms to UL STD. 1310  
Certified to CSA  
STD. C22.2 No 223  
model EM35  
[Link to certification](#)



### Transformer

Dimmable with any LV magnetic dimmer as long as you cover dimmer's min load.

Temperature class B(130°C)

Input leads are 18AWG 600V

Output leads are 18AWG 300V

Leads max. operational temperature is 105°C

Thermal self reset primary breaker 0.8A

Thermal self reset secondary breaker 5A

Dimensions (inch): H = 1.31, W = 1.62, D = 3.4

Weight (LBS): 1.1

### Electrical Parameters

Input Voltage: **120V 60Hz**

Max. input current at full load: **0.35A**

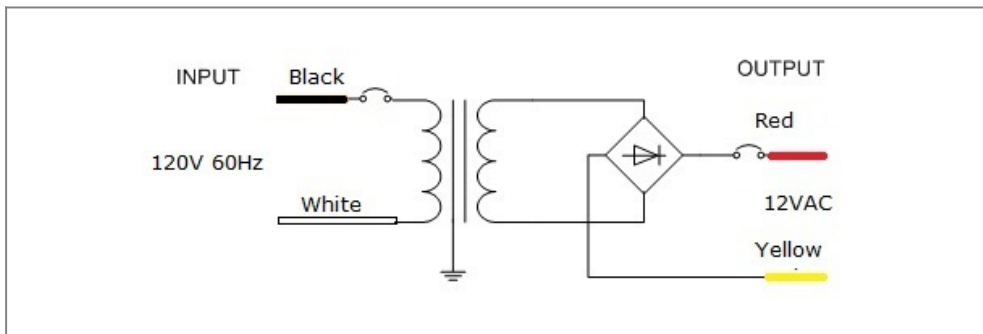
Output voltage without load: **13.5VAC**

Output voltage fully loaded: **11.6VAC**

Max. Total Wattage: **35W**

Max. Output Current: **3A**

Efficiency: **85%**



Mailing Address: 6925 Eton Ave. Canoga Park, CA 91303 Tech support: Arik Nirenberg phone: 818-904-3309 cellphone: 818-269-4091  
Fax: 818 904 3327 info@emcod.com techsupport@emcod.com