

EOM50S24DC

Class 2 Magnetic Dimmable

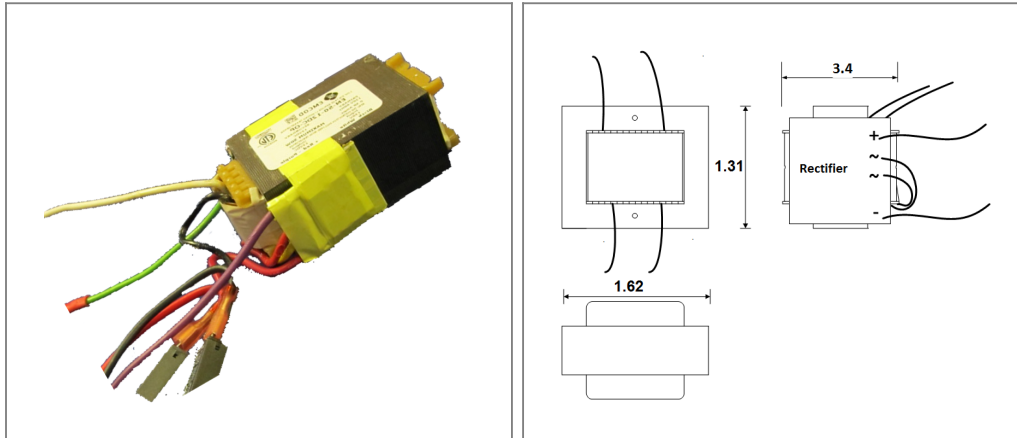
Single Circuit: **24VDC**
Total Wattage: **50W max**
Input Voltage: **120V 60Hz**



www.emcod.com



Conforms to UL STD. 1310
Certified to CSA
STD. C22.2 № 223
model EM50
[Link to certification](#)



Transformer

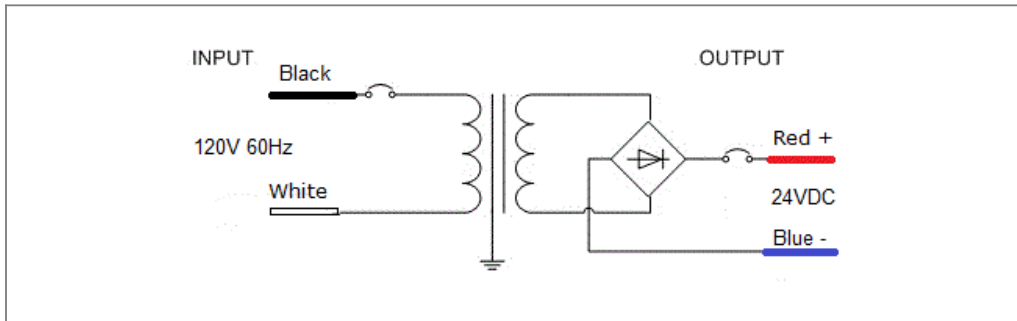
Dimmable with any LV magnetic dimmer as long as you cover dimmer's min load.

Temperature class B(130°C)
Input leads are 18AWG 600V
Output leads are 18AWG 300V
Leads max. operational temperature is 105°C
Thermal self reset primary breaker 1.25A
Thermal self reset secondary breaker 4A

Dimensions (inch): H = 1.31, W = 1.62, D = 3.4
Weight (LBs): 1.4

Electrical Parameters

Input Voltage:	120V 60Hz
Max. input current at full load:	0.5A
Output voltage without load:	26.4VDC
Output voltage fully loaded:	23.5VDC
Max. Total Wattage:	50W
Max. Output Current:	2.1A
Efficiency:	85%



Mailing Address: 15545 Cabrito Rd. Van Nuys, CA 91406 Tech support: Arik Nirenberg phone: 818-904-3309 cellphone: 818-269-4091
Fax: 818 904 3327 info@emcod.com techsupport@emcod.com