

EM2-200S24DC277

Class 2 Magnetic Dimmable

Outdoor Black Powder Coated Steel Enclosure

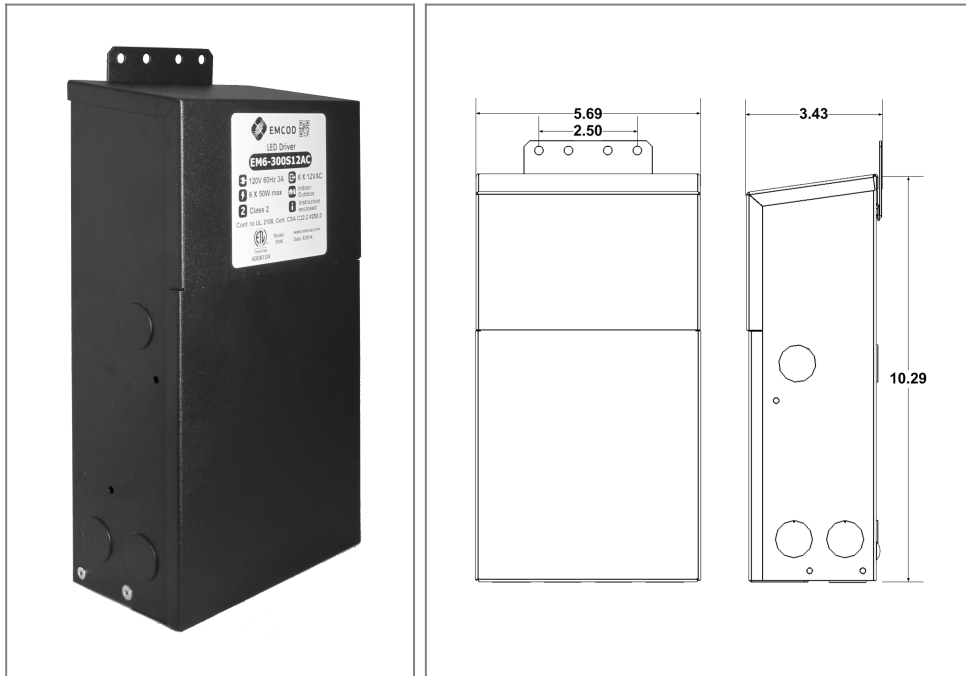
Double Circuit: **24VDC**

Total Wattage: **200W max**

Input Voltage: **277V 60Hz**



Conforms to UL STD. 2108
Certified to CSA
STD. C22.2 No 250.0
model EM3



Transformer

Dimmable with any MLV, CL dimmer, as long as, dimmer's min. load is covered.

Temperature class B(130°C)

Two section bobbin completely separated primary and secondary windings

Input leads are 18AWG 600V

Output leads: Terminal Block

Leads max. operational temperature is 105°C

Thermal manually reset secondary breaker 4A per circuit

Housing

The actual transformer 200W is encapsulated in the enclosure

The enclosure is Black Powder Coated Steel, NEMA 3R rated

Wiring compartment has 13 knockouts sizes for 3/8 inch screw cable connectors

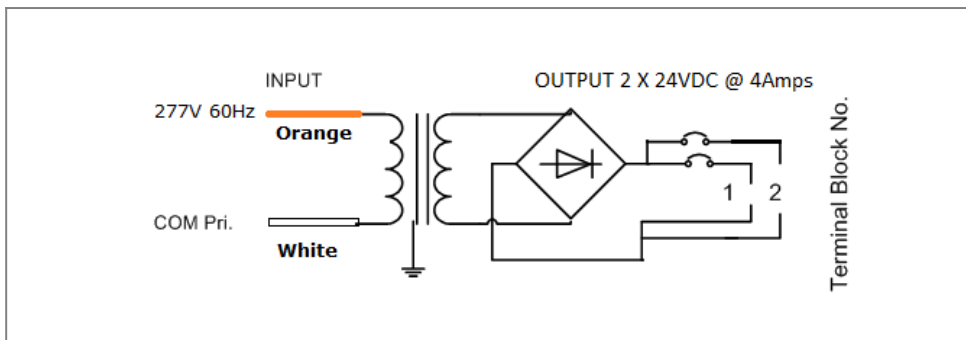
Enclosure Temperature does not exceed 75°C at 45°C ambient and fully loaded

Dimensions (inch): H = 10.29, W = 5.69, D = 3.43

Weight (LBs): 10

Electrical Parameters

Input Voltage:	277V 60Hz
Max. input current at full load:	1A
Output voltage without load:	25.6VDC
Output voltage fully loaded:	23.6VDC
Max. Total Wattage:	200W Max. per circuit: 100W
Max. Output Current:	4A per circuit.
Efficiency:	93%



Mailing Address: 6925 Eton Ave. Canoga Park, CA 91303 Tech support: Arik Nirenberg phone: 818-904-3309 cellphone: 818-269-4091
Fax: 818 904 3327 info@emcod.com techsupport@emcod.com