

# EM6-300S12DC277

## Class 2 Magnetic Dimmable

Outdoor Black Powder Coated Steel Enclosure

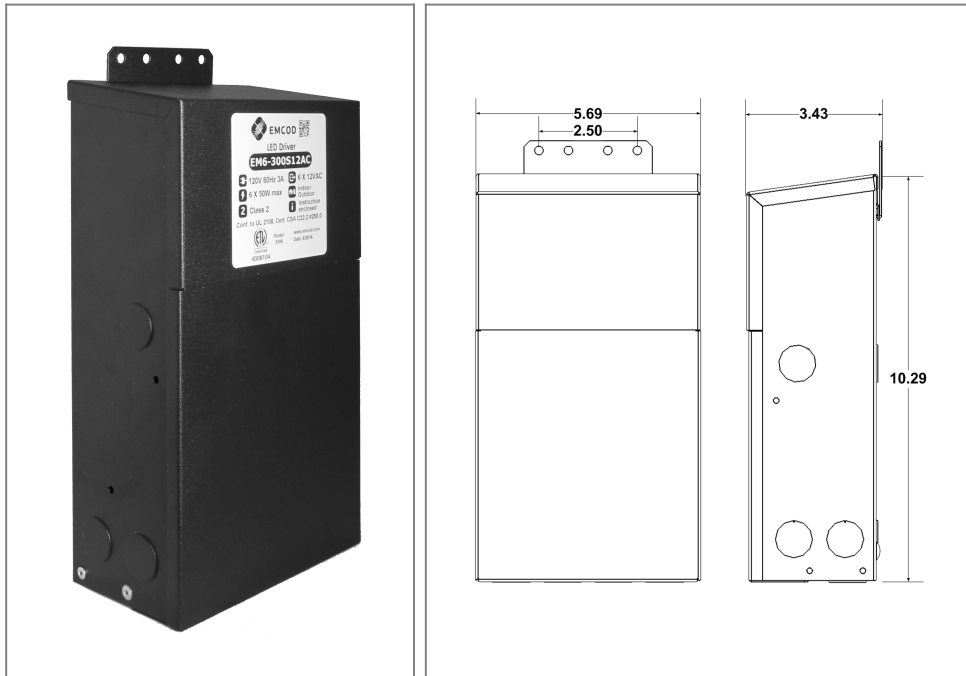
Multi Circuit: **12VDC**

Total Wattage: **300W max**

Input Voltage: **277V 60Hz**



Conforms to UL STD. 2108  
Certified to CSA  
STD. C22.2 No 250.0  
model EM6



### Transformer

Dimmable with any LV magnetic dimmer as long as you cover dimmer's min load.

Temperature class B(130°C)

Two section bobbin completely separated primary and secondary windings

Input leads are 18AWG 600V

Output leads: Terminal Block

Leads max. operational temperature is 105°C

Thermal manually reset secondary breaker 5A per circuit

### Housing

The actual transformer 300W is encapsulated in the enclosure

The enclosure is Black Powder Coated Steel, NEMA 3R rated

Wiring compartment has 13 knockouts sizes for 3/8 inch screw cable connectors

Enclosure Temperature does not exceed 75°C at 45°C ambient and fully loaded

Dimensions (inch): H = 10.29, W = 5.69, D = 3.43

Weight (LBs): 10

### Electrical Parameters

Input Voltage: **277V 60Hz**

Max. input current at full load: **1.3A**

Output voltage without load: **12.8VDC**

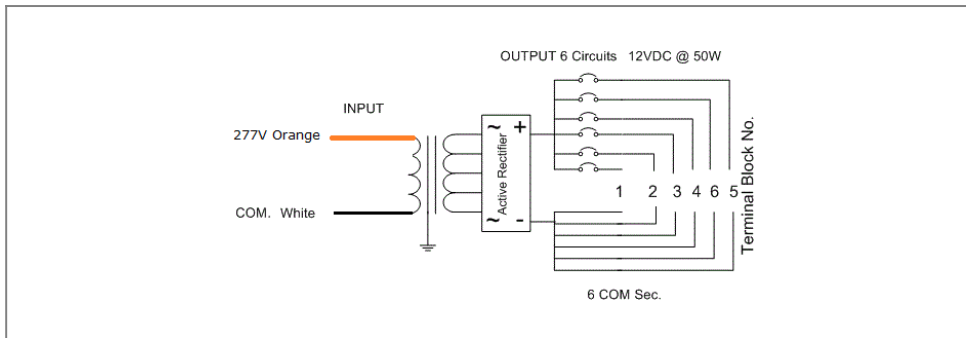
Output voltage fully loaded: **11.8VDC**

Max. Total Wattage: **300W** Max. per circuit: **50W**

Max. Output Current: **4.1A** per circuit.

Efficiency: **93%**

Load regulation: **0.08%**



Mailing Address: 6925 Eton Ave. Canoga Park, CA 91303 Tech support: Arik Nirenberg phone: 818-904-3309 cellphone: 818-269-4091  
Fax: 818 904 3327 info@emcod.com techsupport@emcod.com