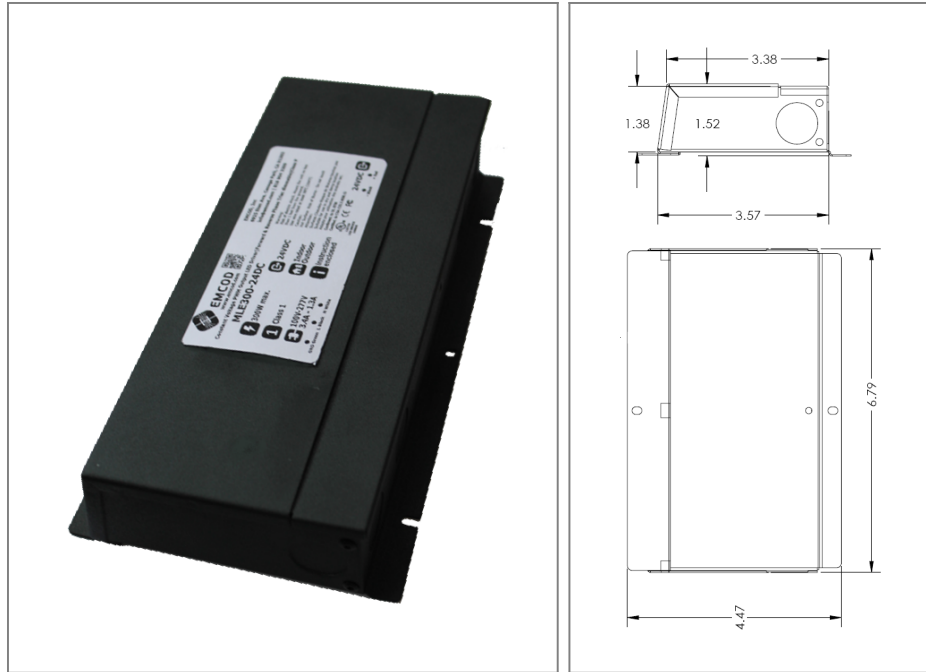


## MLE60-12DC-UD T24

Class 2 Electronic UNIV 5 in 1 dimming  
Outdoor Black Powder Coated Steel Enclosure  
Single Circuit: **12VDC 20kHz PWM, T24 JA-8**  
Total Wattage: **60W max**  
Input Voltage: **100-277V 50/60Hz**



Conforms to UL STD. 8750 and 1310  
Certified to CSA  
STD. C22.2 No 250.0  
model MLE60-12DC-UD



### Transformer

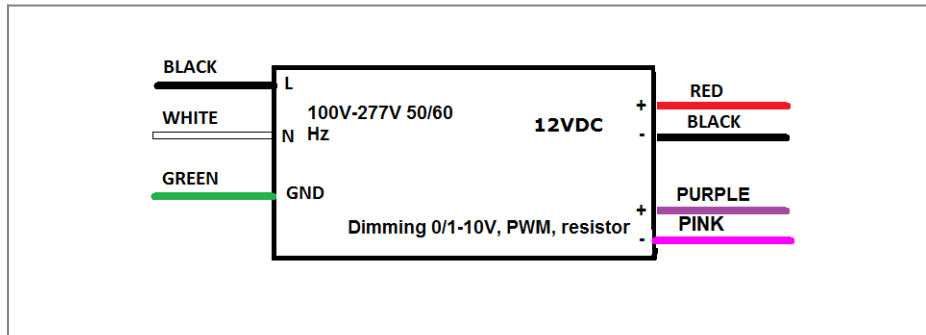
Dimmable with triac forward and reverse phase, 0/1-10V , resistor, PWM  
Input leads are 18AWG 600V  
Output leads are 16AWG 300V  
Leads max. operational temperature is 105°C

### Housing

The actual transformer 60W is encapsulated in the enclosure  
The enclosure is Black Powder Coated Steel, NEMA 3R rated  
Wiring compartment has 6 knockouts sizes for 3/8 inch screw cable connectors  
Enclosure Temperature does not exceed 70°C at 45°C ambient and fully loaded  
Dimensions (inch): H = 4.47, W = 6.79, D = 1.38  
Weight (LBs): 2.5

### Electrical Parameters

Input Voltage:	<b>100-277V 50/60Hz</b>
Max. input current at full load:	<b>0.8A</b>
Output voltage without load:	<b>12.1VDC</b>
Output voltage fully loaded:	<b>12VDC</b>
Max. Total Wattage:	<b>60W</b>
Max. Output Current:	<b>5A</b>
Efficiency:	<b>87%</b>
Load regulation:	<b>1%</b>
Ripple:	<b>5%</b>



Mailing Address: 646 Flinn Ave. Unit B, Moorpark , CA 93021 Tech support: Arik Nirenberg phone: 818-904-3309  
Fax: 818 904 3327 [info@emcod.com](mailto:info@emcod.com) [techsupport@emcod.com](mailto:techsupport@emcod.com)